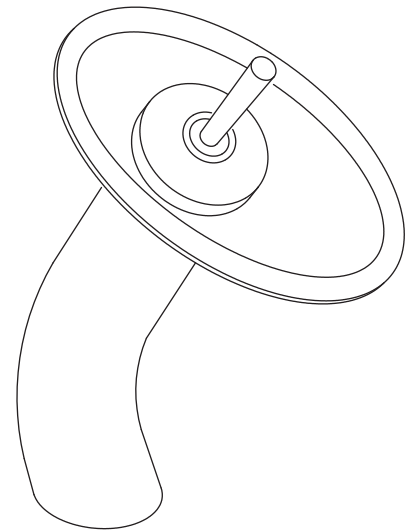


# INSTALLATION INSTRUCTIONS

FFT1010CH  
Single hole faucet



## Important

We recommend that this product is installed by a qualified professional contractor.

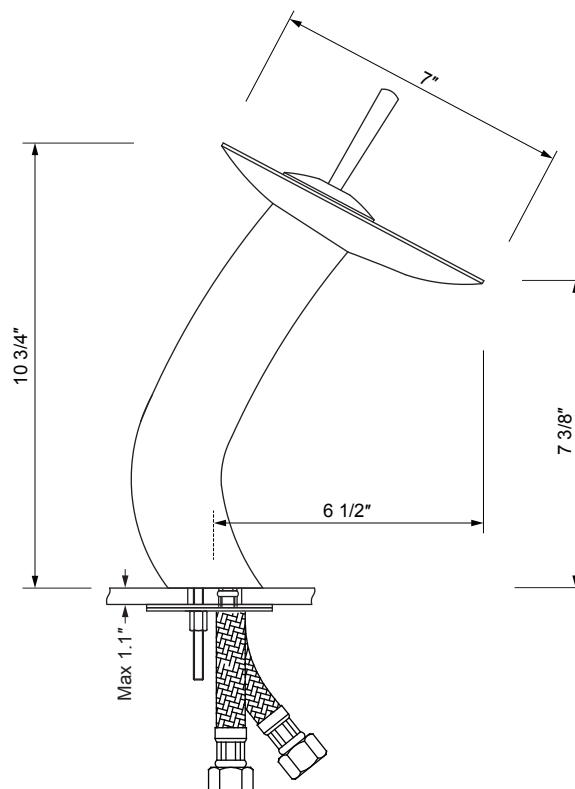
- Please check this product immediately to ensure that it has not been damaged and is complete.
- Please flush the water system to ensure that no debris or any other impurities can enter the taps.
- Turn off water supply before commencing work.
- Please read these instructions carefully and keep for future reference.

## Maintainance

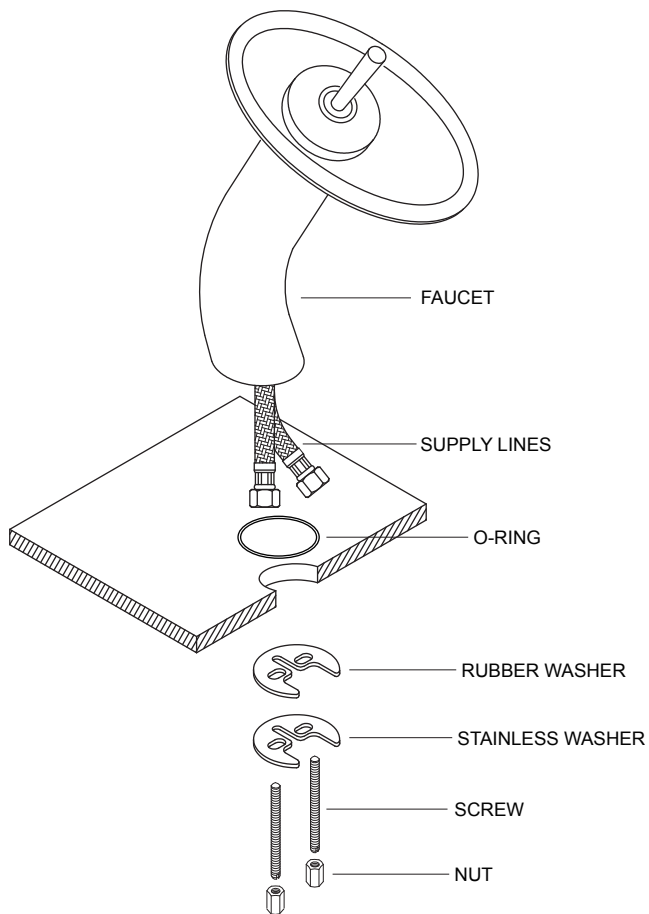
We do NOT recommend you use any household cleaners to clean the product. Because these cleaners change substance or formula too frequently. The product should always be cleaned with soapy water and rinsed with clean water and dried with a soft cloth.

## Dimensions

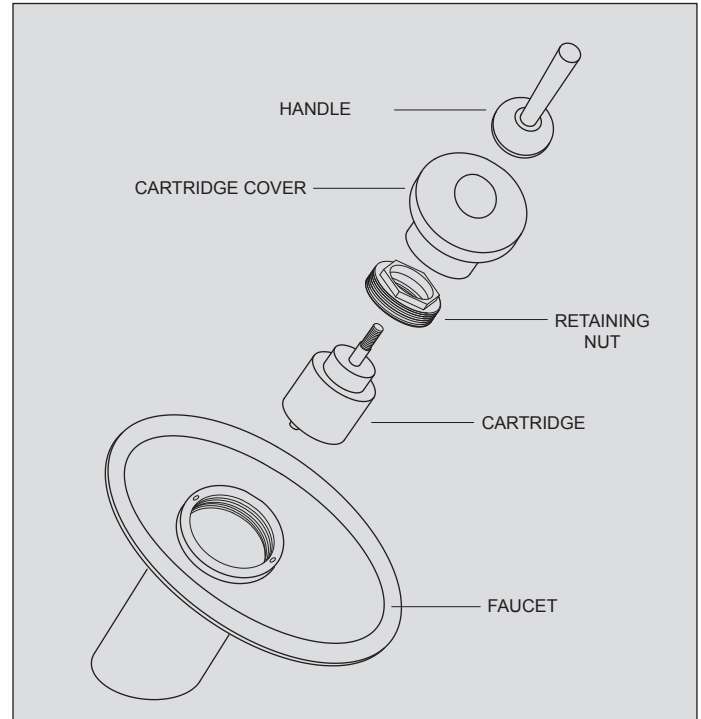
Unit:inches



## Installation



- 1: Fit the o-ring into the underside of the faucet.
- 2: Screw the supply lines into the faucet and fully hand tighten.
- 3: Pass the tail of supply lines through the hole on the basin from above, fix the screw to the faucet.
- 4: Pass the rubber washer and stainless washer to the screw, tighten the nut.
- 5: Check that the faucet is correctly positioned, fully tighten the nut.
- 6: Connect the water supply pipes to the tail of supply lines with the hot water and cold water.



### To remove the cartridge.

**⚠ First shut off the water supply to the tap.**

- 1: Unscrew the cartridge cover.
- 2: Pull out the handle from the cartridge.
- 3: Unscrew the retaining nut.
- 4: Pull the cartridge and wash it with clean running water.
- 5: Dry and lightly grease the seals (only use silicone grease).

