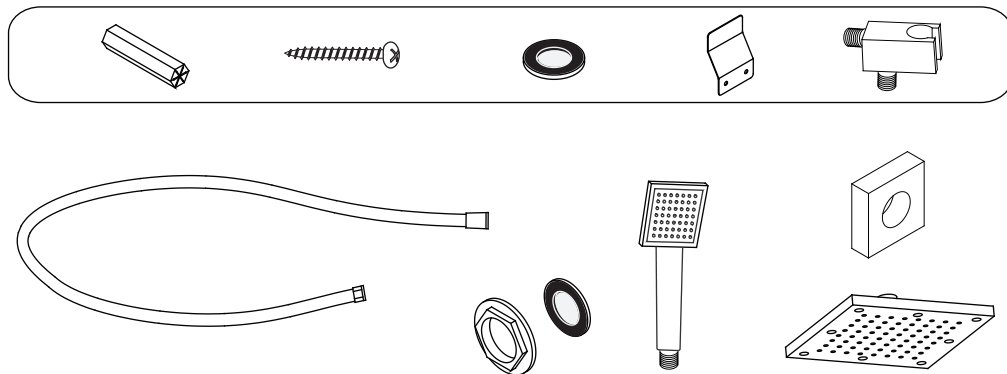


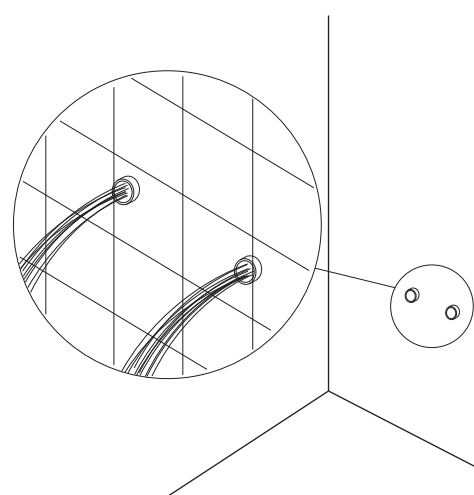
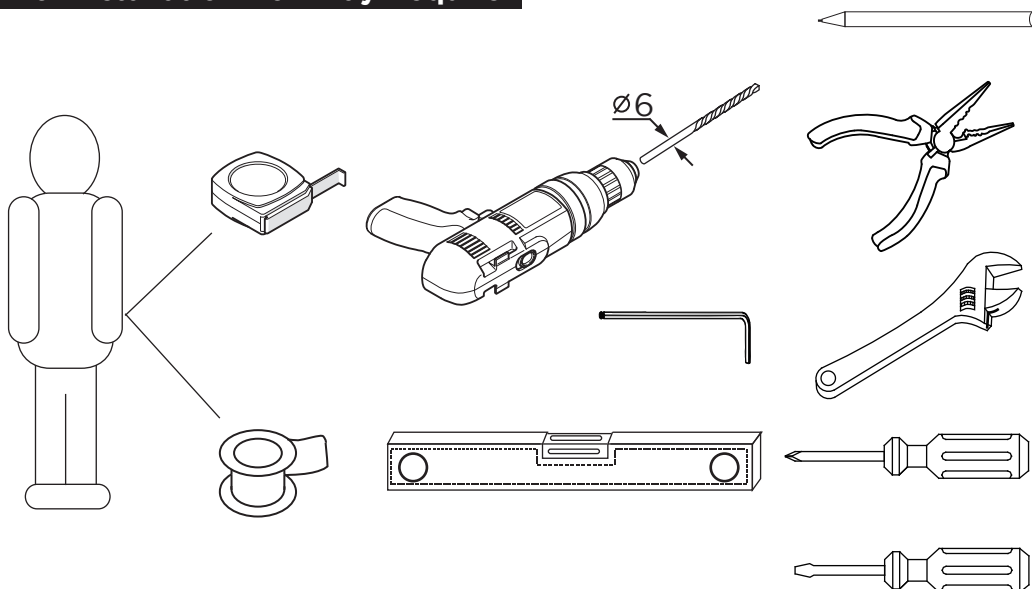


Parts List

Please unpack and inspect all packages and components carefully, make sure they are complete. Examine for shipping damage. If some parts are damaged or missing, notify your dealer immediately.

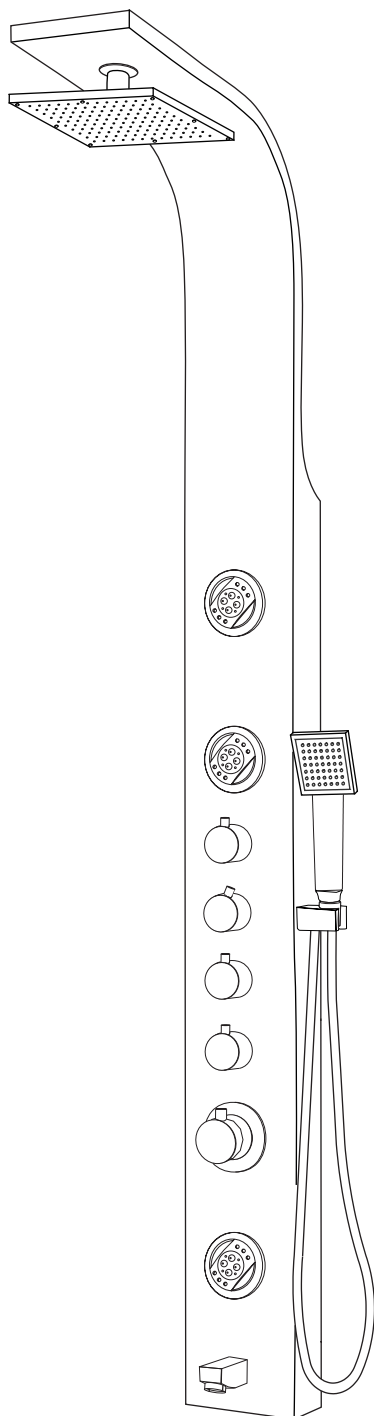


For Installation You may Require

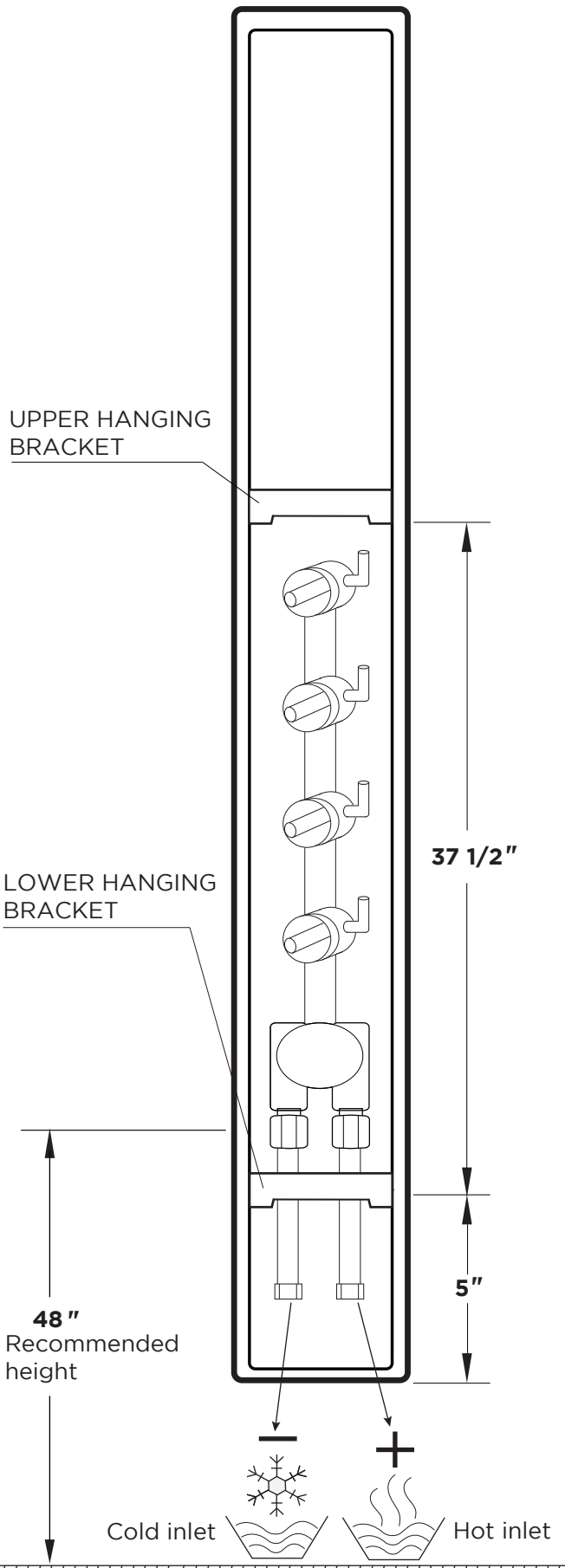


Note!

Before assembly, flush the water supply pipes thoroughly to remove debris (allow the water to run with the main stopcock open for about 3 mins), otherwise dirt particles might affect the function of the shower panel!



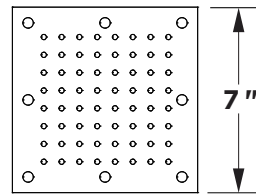
Back View



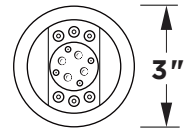
Measure the distance from the upper fixing hanger to the lower fixing hanger. The dimensions are for your reference only.

Dimensions

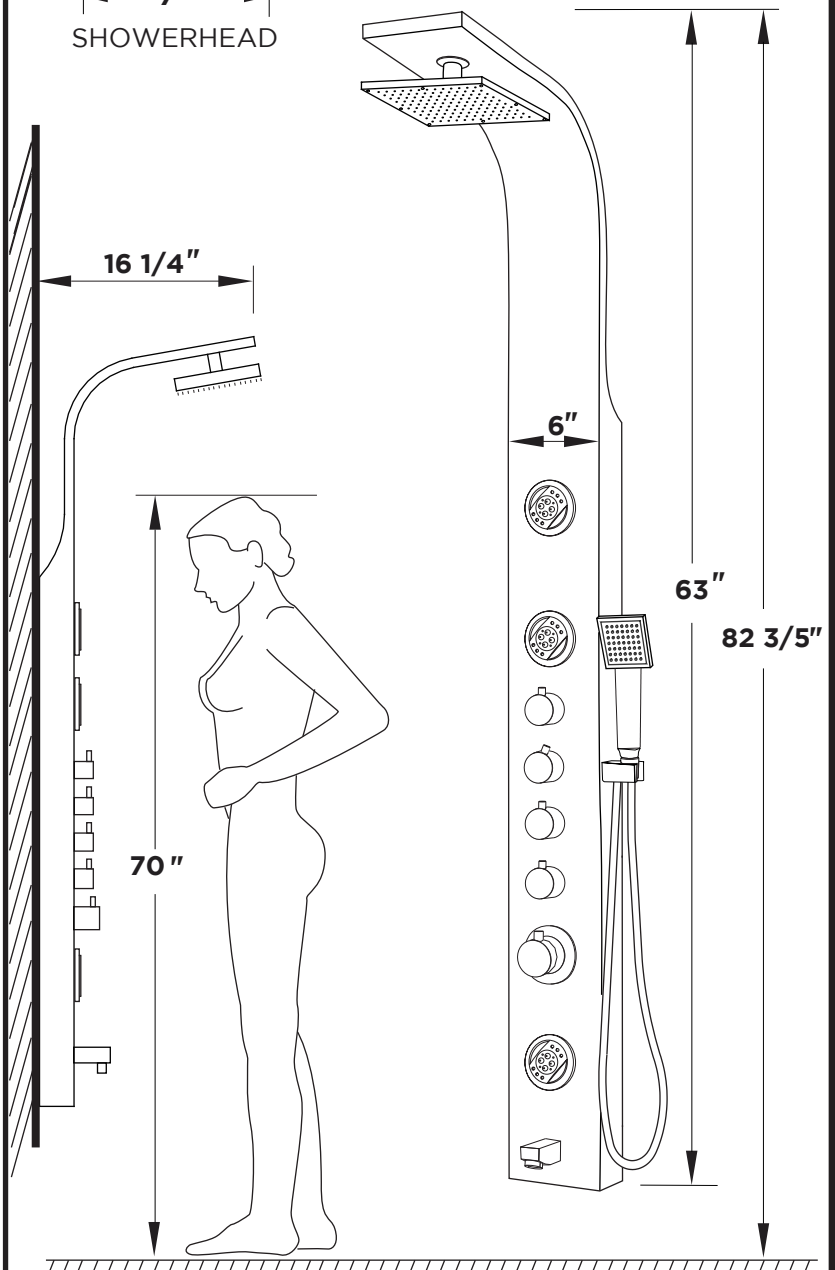
Choose a suitable place to install the shower panel, adjust the shower panel's vertical position based on the user's height and your sanitary room. Usually, install the panels at the distance of 82 3/5" from the top to the ground, but you can assemble according to your instance.



SHOWERHEAD



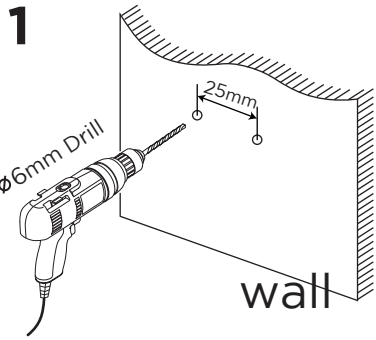
MASSAGE JET



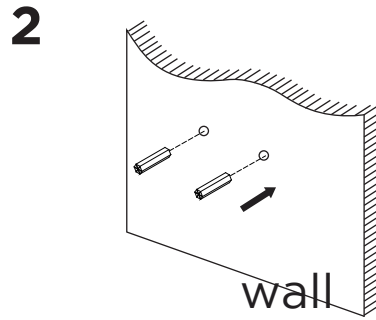
Note! The height can be altered to suit individual requirements. The dimensions are for reference only.

Your item may appear slightly different from the illustration

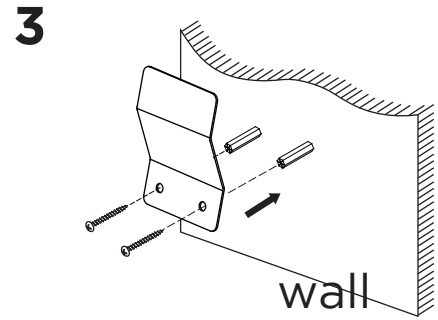
Note! Before drilling any holes for fixing your shower panel ensure that there are no hidden cables or pipework within the wall.



Drill the holes in the wall



Insert the wall plugs inside the holes

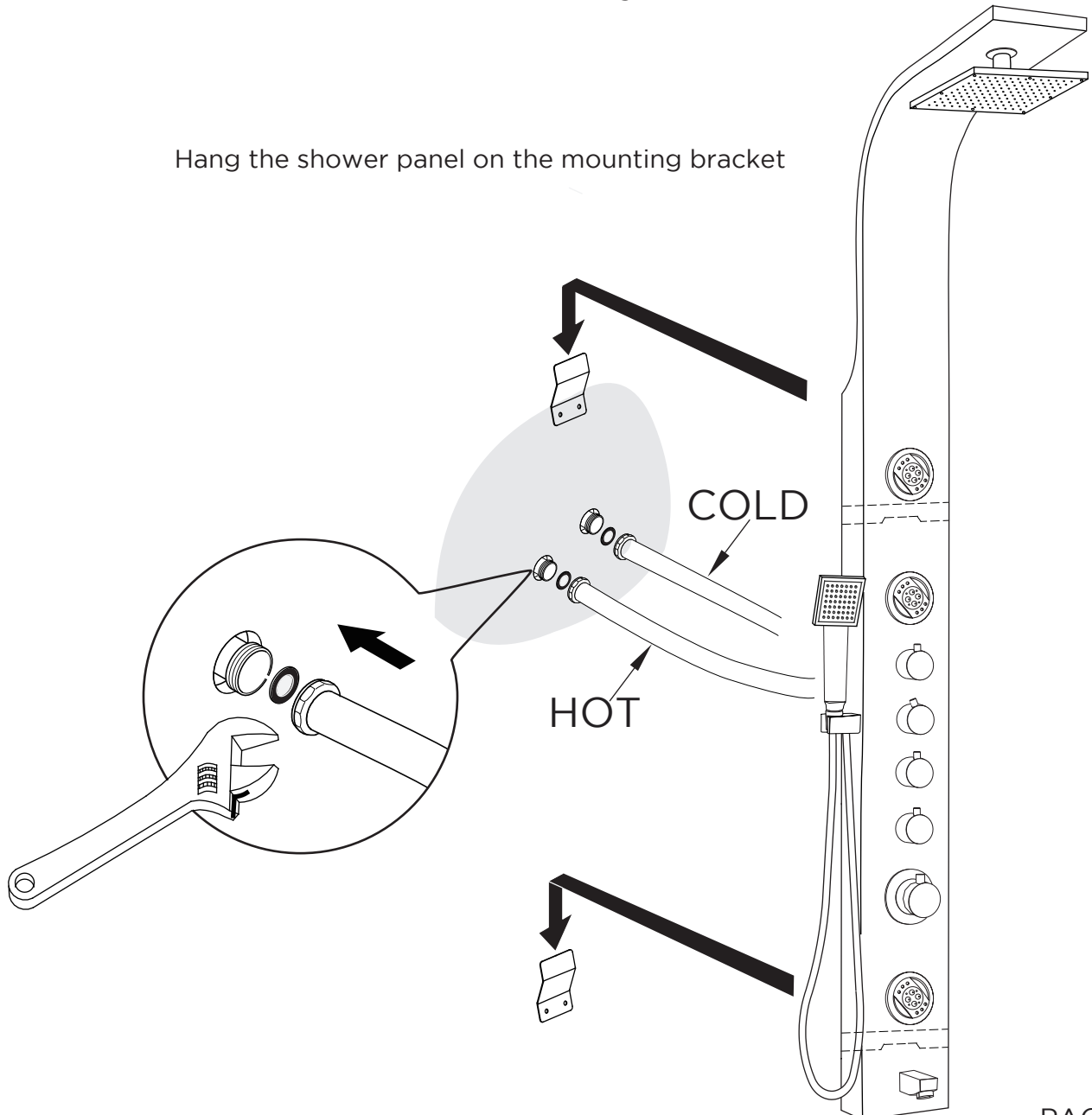


Tighten the screws to the wall with wall mounting brackets

Wall-mounting

Note! Most of "Fresca" shower panels not only can be mounted on the tile, marble or other flat wall, but also can be mounted against the wall corner.

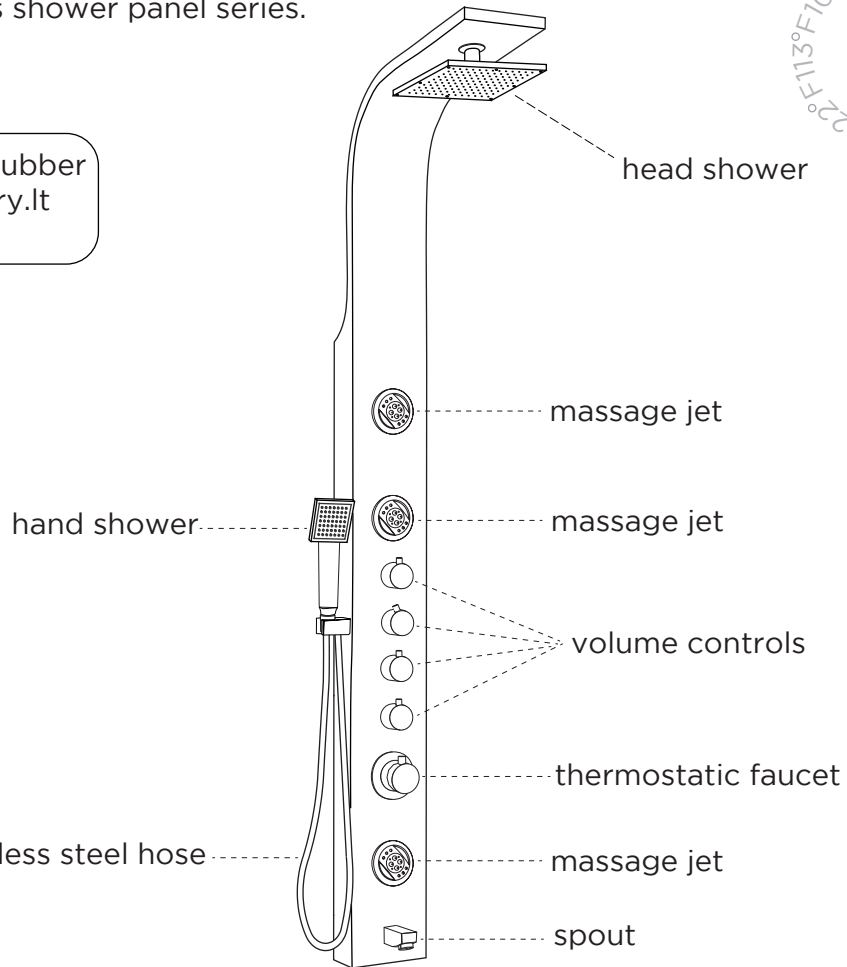
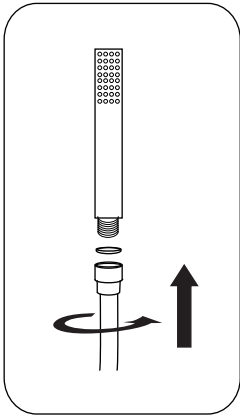
Hang the shower panel on the mounting bracket



Note! The shower panel is for indoors use only. For outdoors use please refer to the "Fresca" outdoors shower panel series.

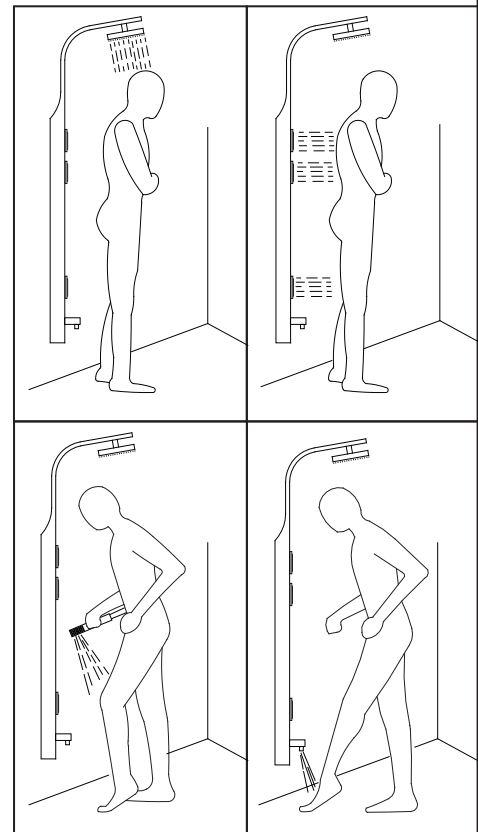
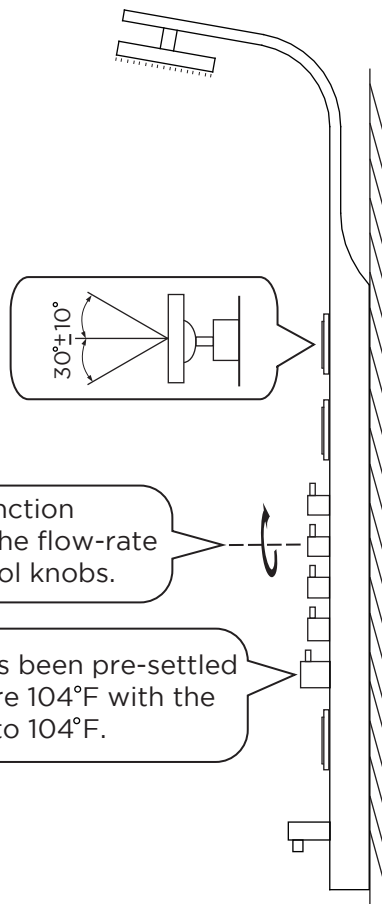


Don't forget to place the rubber washer when it is necessary. It will avoid water leakage.



Operation

Technical data
 Minimum working pressure 11.6 PSI
 Maximum working pressure 72.5 PSI
 Recommended operating pressure 21.75 PSI - 43.5 PSI
 Test pressure 145 PSI
 Temperature scale 86°F-122°F
 Hot water temperature Max. 158°F
 Safety stop 100.4°F

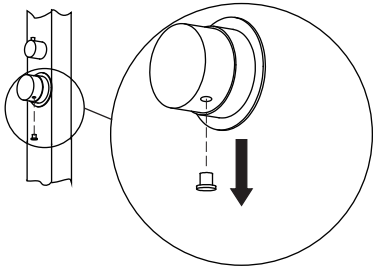


Note! If the safety push button has been operated, it is important that it is returned to its original position (100.4°F) in order to prevent the next shower user from accidental scalding if the temperature is too high.

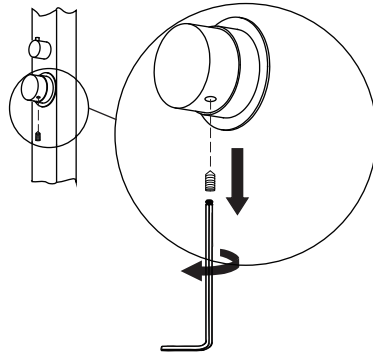
Thermostatic valve removal and installation

Remove process

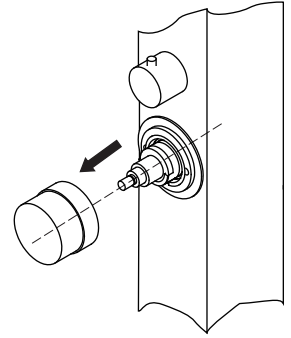
1 Take off cap



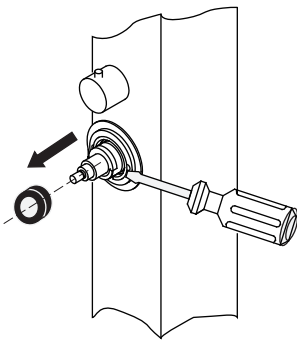
2 Loosen HEX screw off with allen wrench



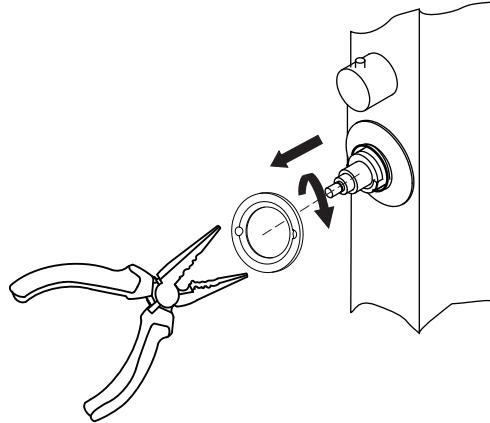
3 Take off head



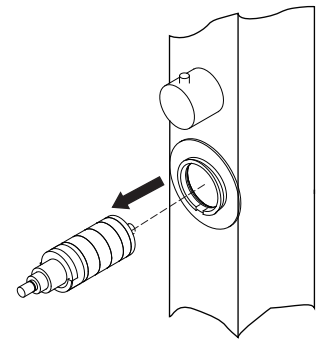
4 Take off plastic ring



5 Position on the golden ring and pull out the valve by needle nose pliers

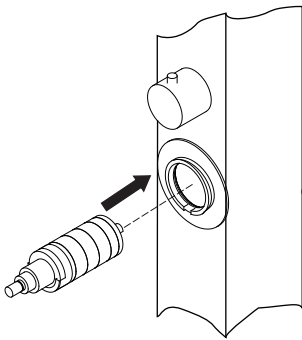


6 Remove the valve

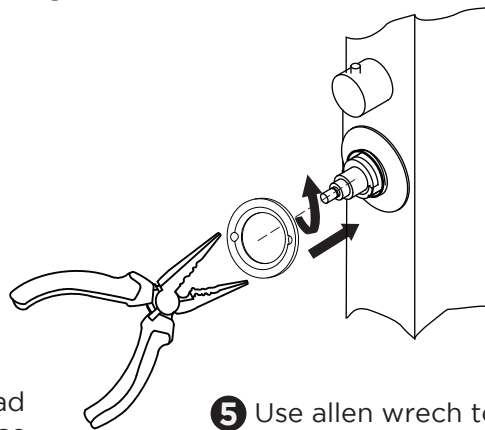


Installation process

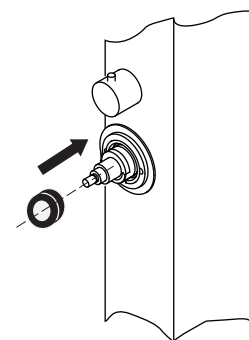
1 Place valve in place(ensure the screw head pointing to the cut off of the plated ring)



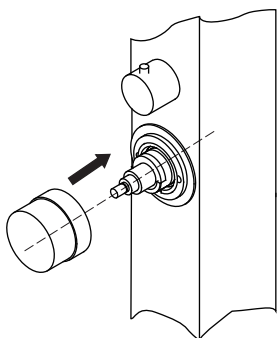
2 Put golden ring on top of valve



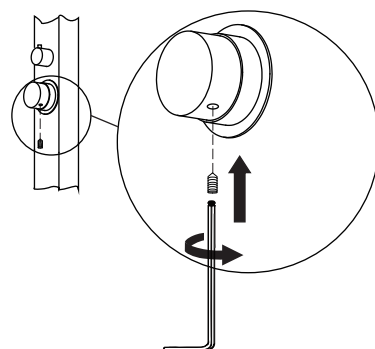
3 Put plastic ring in place with a rubber hammer



4 Press the button on the head and put on the head as below ensuring the screw hole pointing to the front



5 Use allen wrench to fix the HEX screw tightly



6 Put on cap

