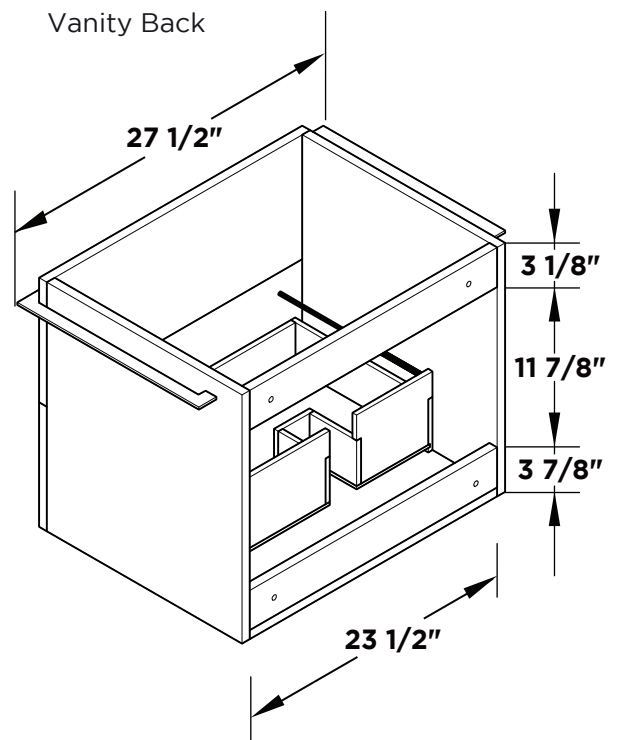
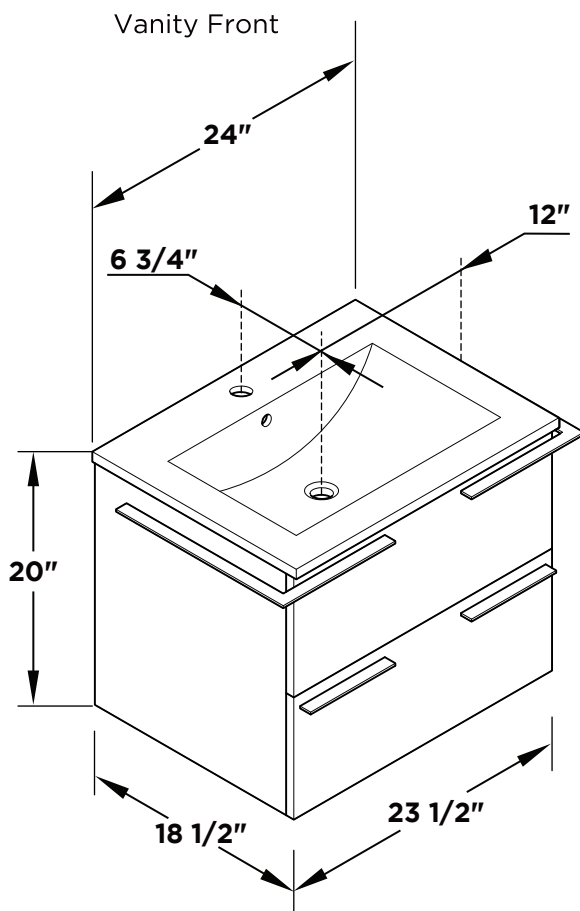
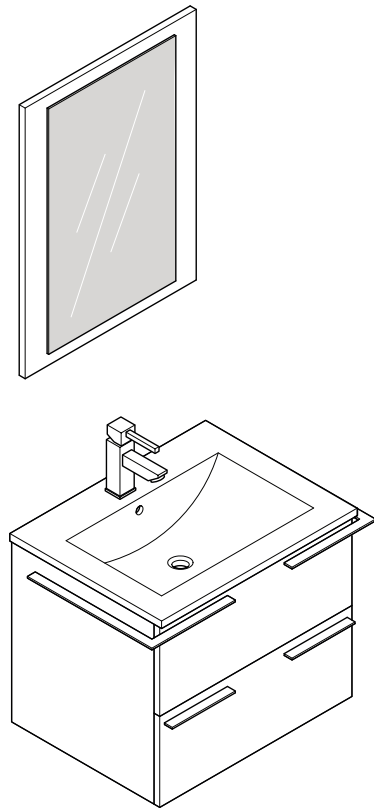
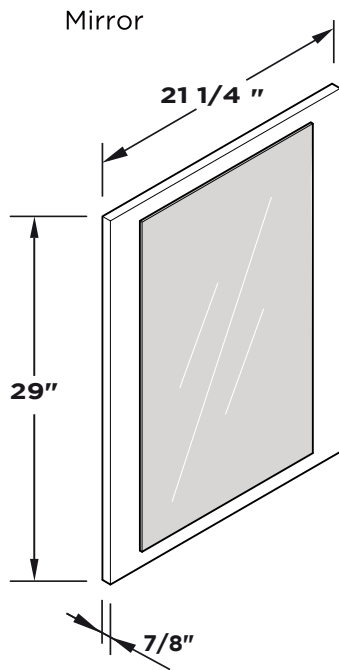
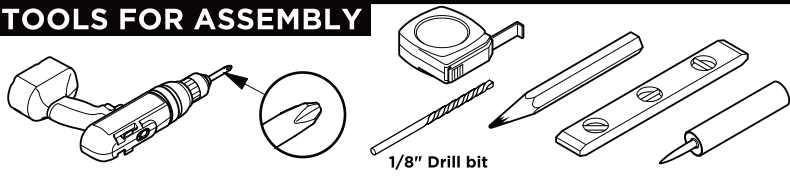


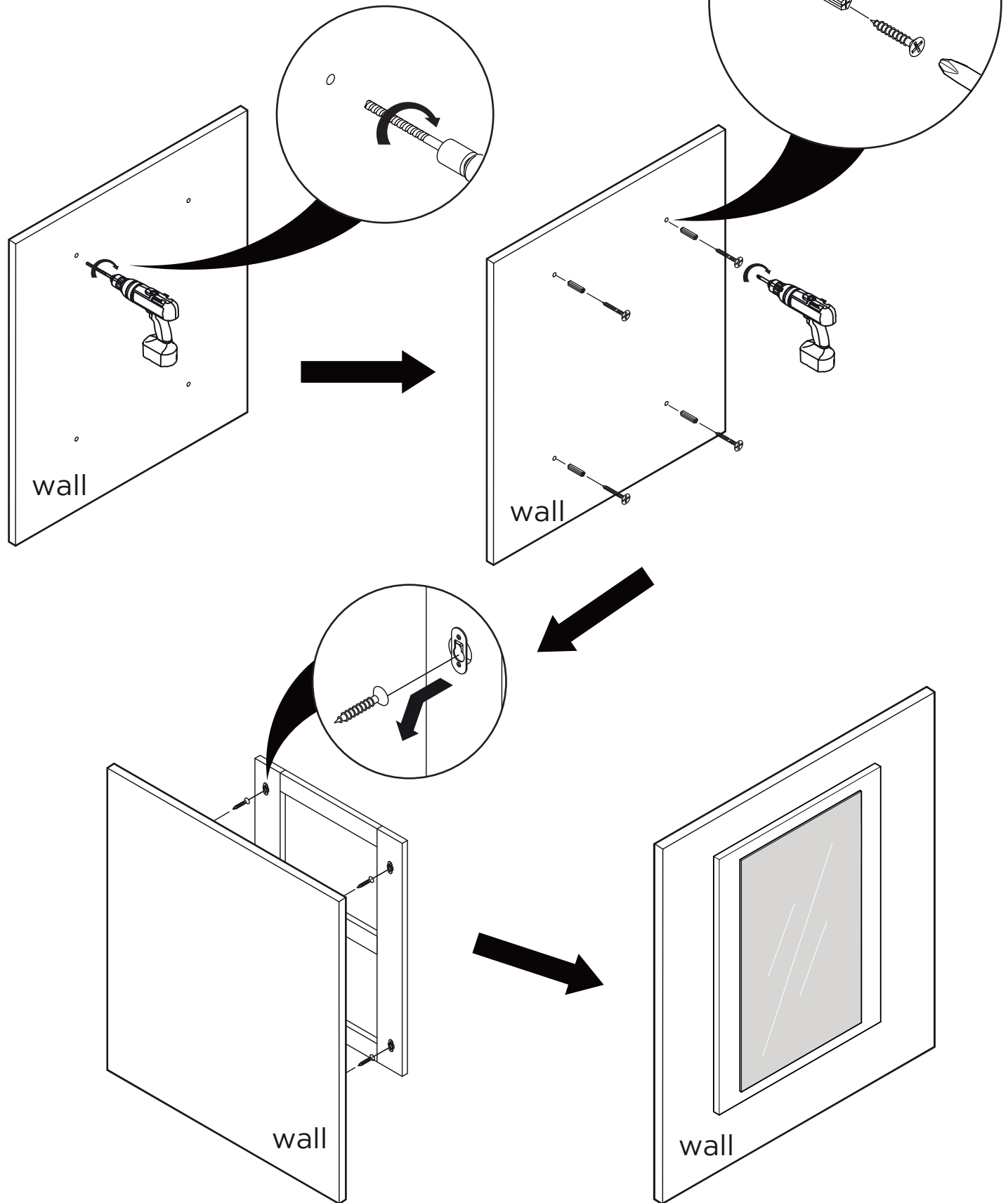
FVN8114
CIELO
INSTALLATION GUIDE



TOOLS FOR ASSEMBLY

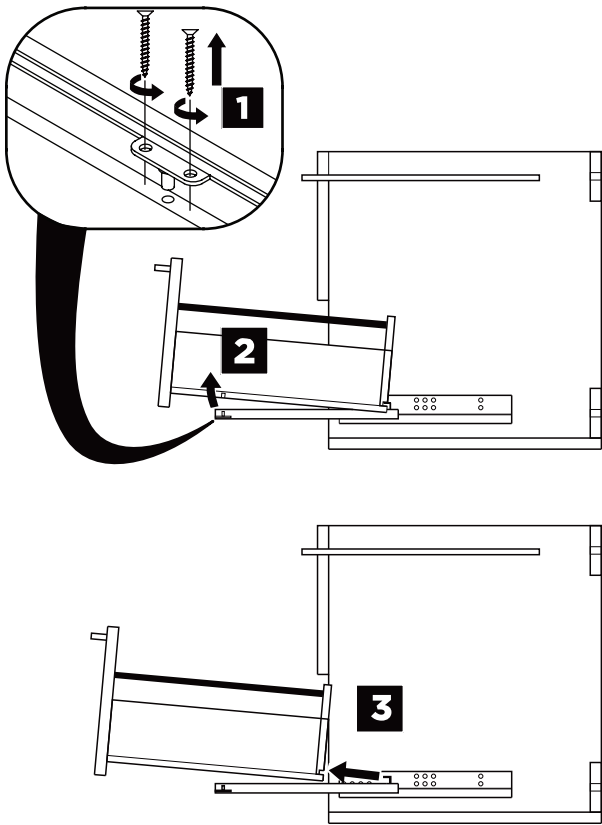


MIRROR INSTALLATION

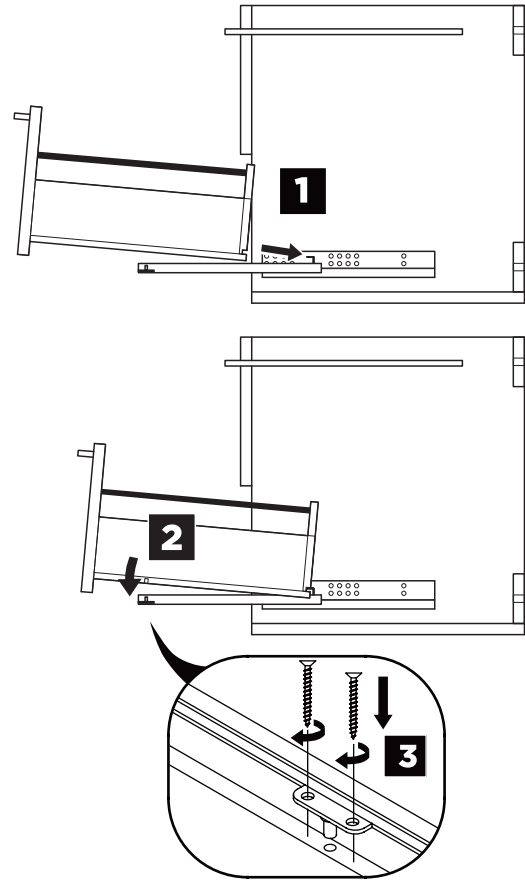


DRAWER REMOVAL & INSTALLATION

REMOVAL

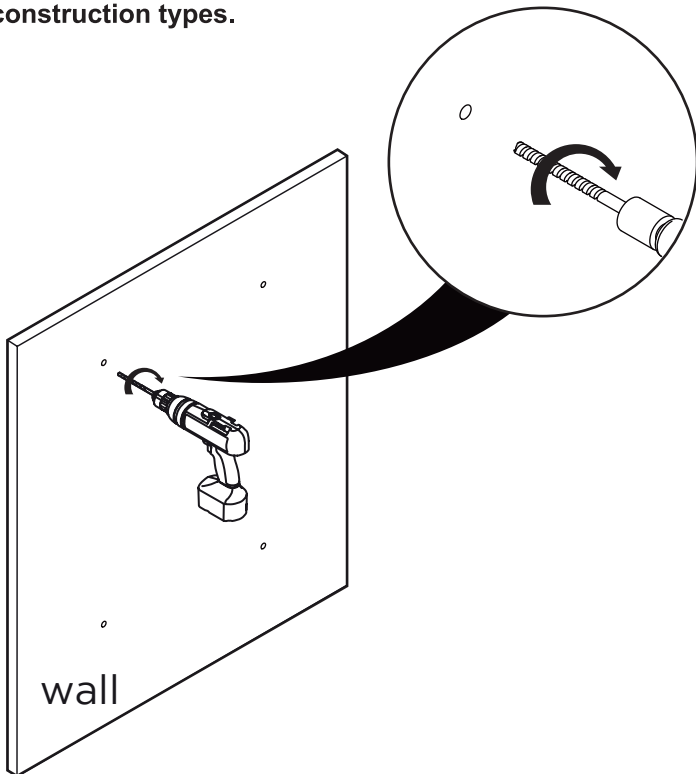


INSTALLATION

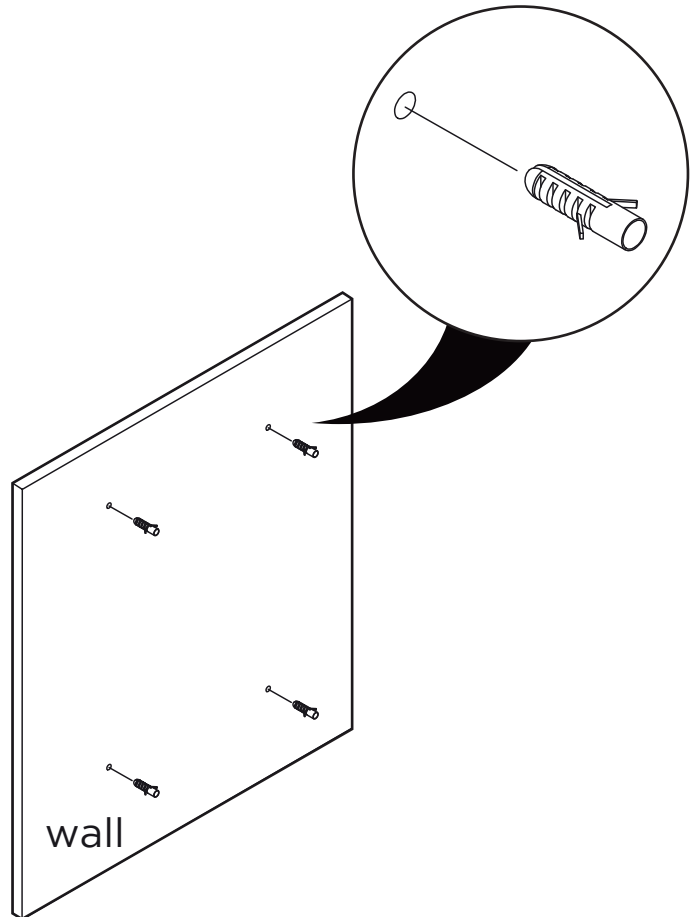


1 Drill holes

IMPORTANT: Consult an expert for the proper screws/bolts to use when attaching to various wall constructions. Screws provided do not attach to all wall construction types.



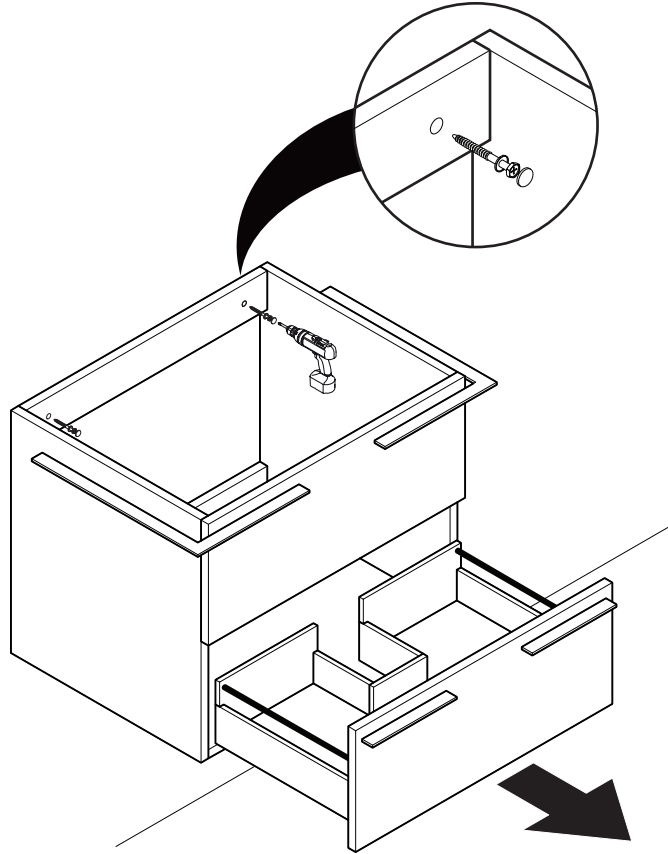
2 Insert the dowels



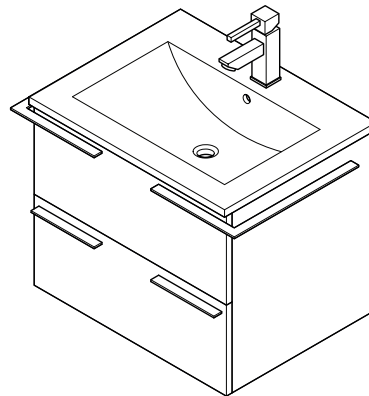
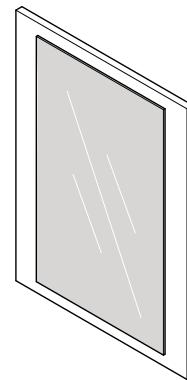
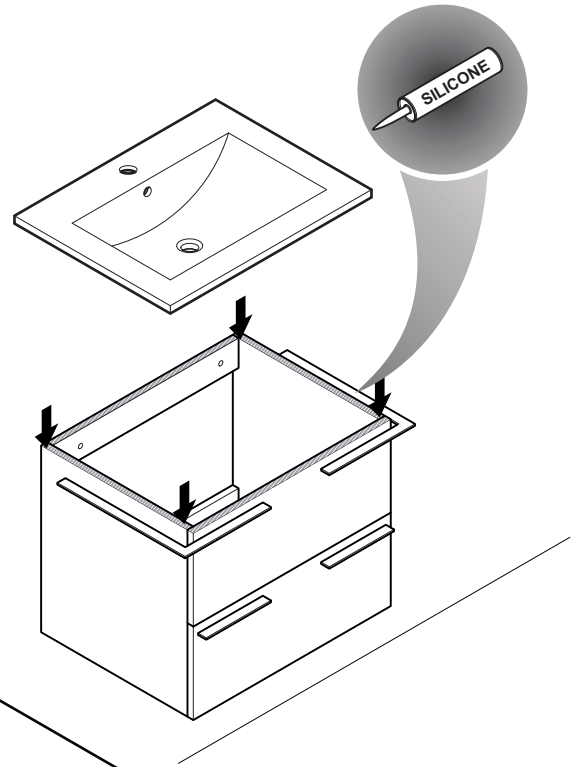
3 Remove drawer

4 Install cabinet

IMPORTANT: Consult an expert for the proper screws/bolts to use when attaching to various wall constructions. Screws provided do not attach to all wall construction types.



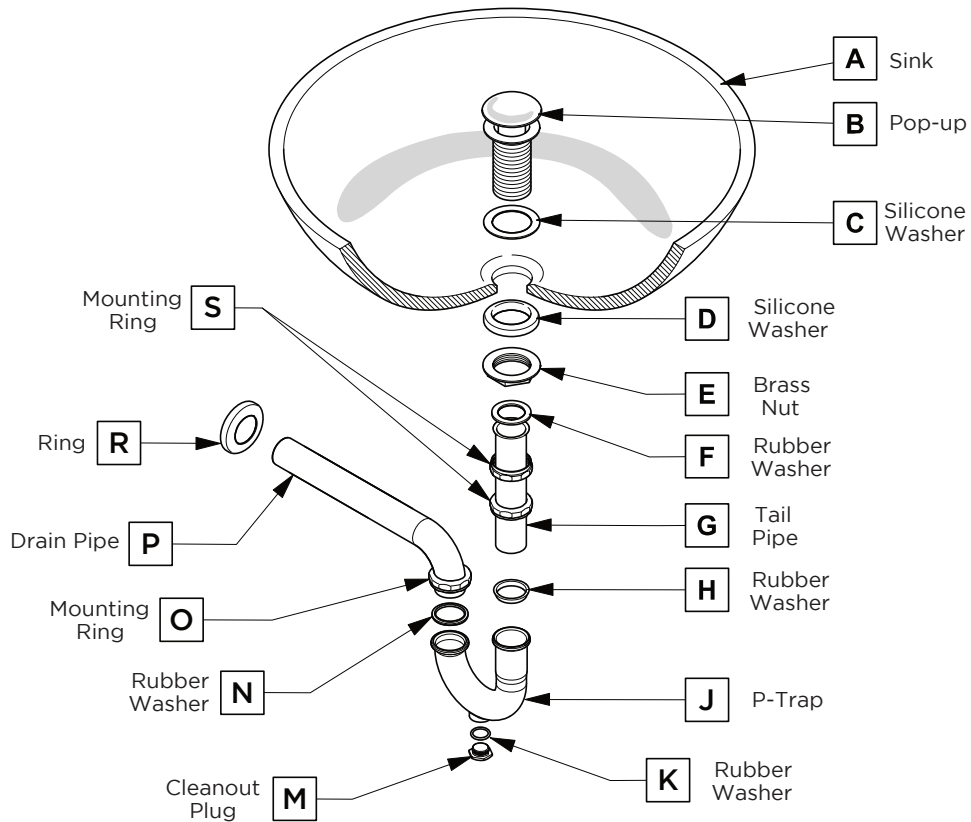
5 Apply silicone and install sinks



FINAL
PRODUCT
FVN8114

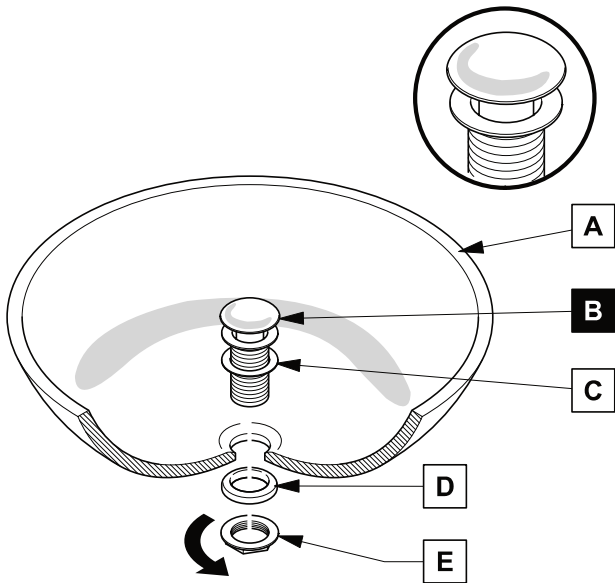
P-TRAP AND POP-UP INSTALLATION INSTRUCTIONS

Your item may appear slightly different from the illustration



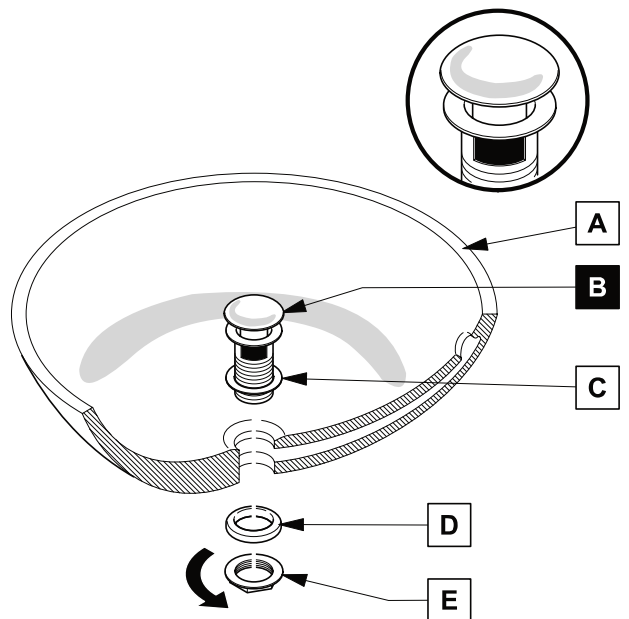
POP-UP INSTALLATION

FOR SINKS WITHOUT OVERFLOW



OR

FOR SINKS WITH OVERFLOW



CIELO

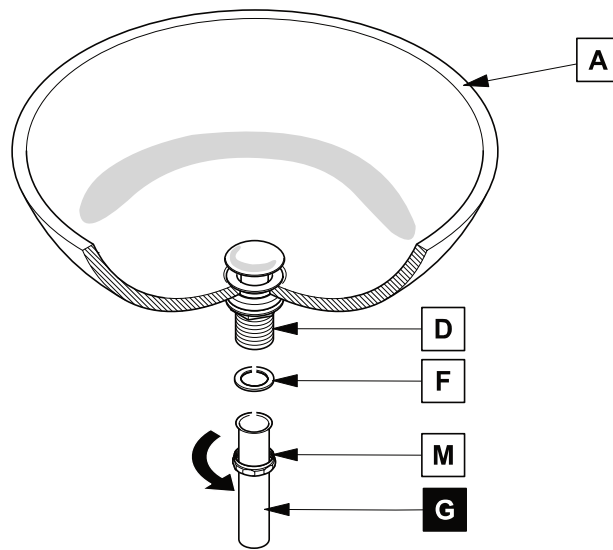
INSTALLATION GUIDE

PAGE 5

P-TRAP INSTALLATION

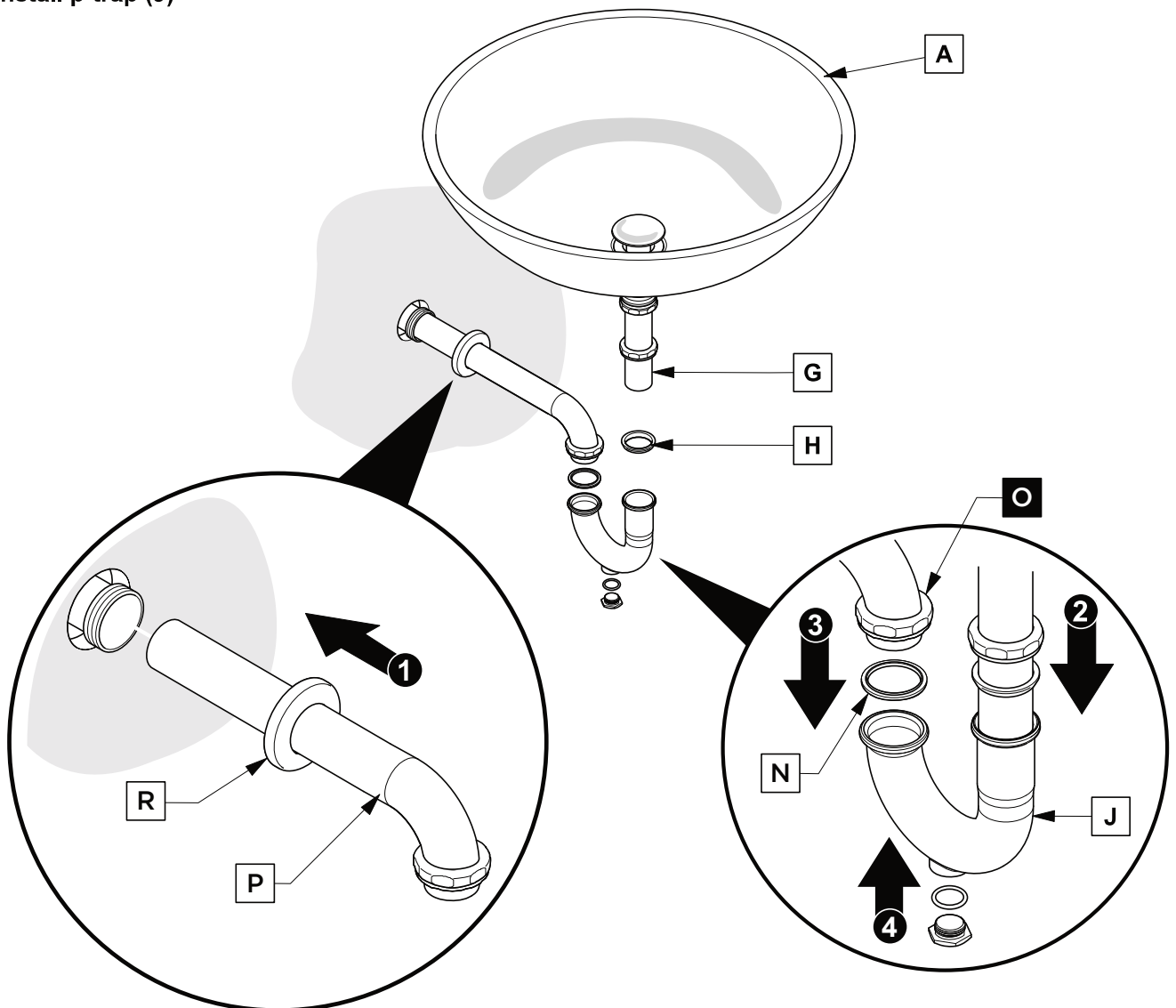
1

Install tail pipe (G)



2

Install p-trap (J)



CIELO

INSTALLATION GUIDE

PAGE 6