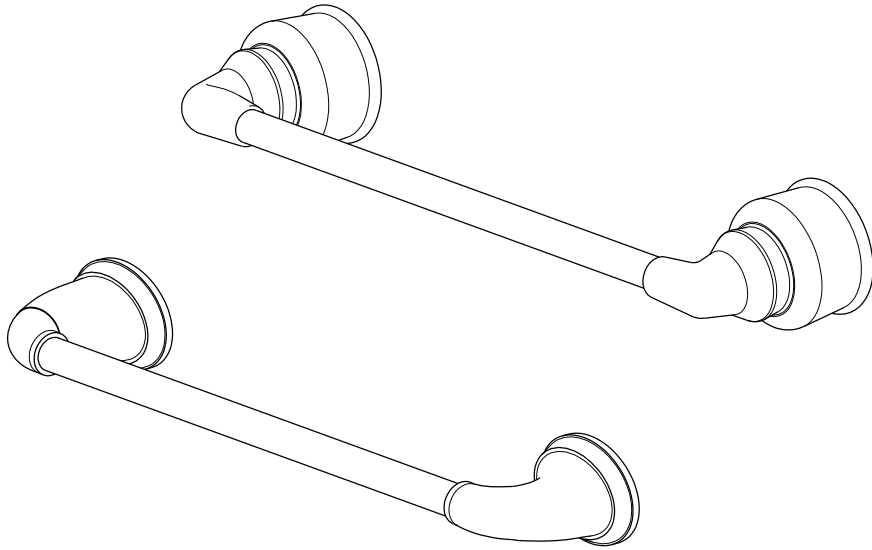
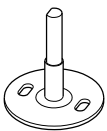
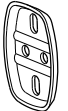
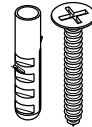



## Towel Bar Installation



### Parts:

Mounting Plate BA601 Series	Mounting Plate BA621 Series	Mounting Screw & Anchor	Slotted Set Screw
			
2 Pcs	2 Pcs	4 Pcs	2 Pcs

[www.kingstonbrass.com](http://www.kingstonbrass.com)

TOLL-FREE CUSTOMER SERVICE: 1-877-2-KBRASS

TECHNICAL SUPPORT E-mail: [service@kingstonbrass.com](mailto:service@kingstonbrass.com)

12775 Reservoir Street, Chino, CA91710

## TOOLS REQUIRED

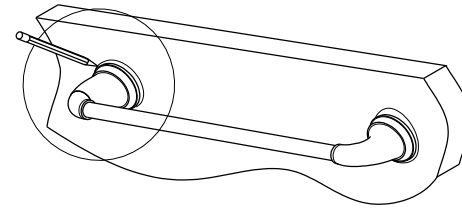
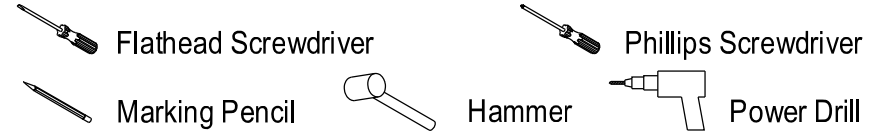


Fig. 1

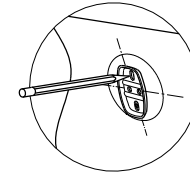


Fig. 2

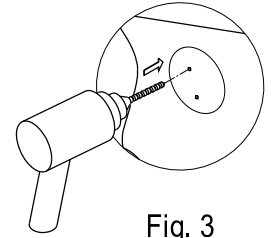


Fig. 3

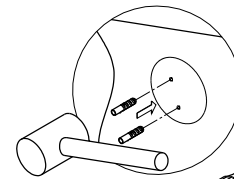


Fig. 4

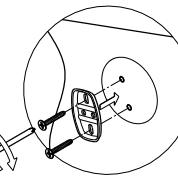


Fig. 5

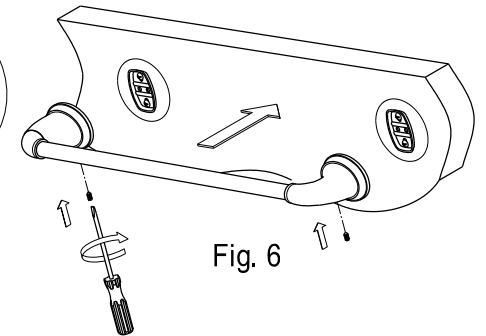


Fig. 6

### Installation Steps:

Step 1. Locate where you would like to install the towel bar.

Place a base onto the wall and trace around it with a pencil (fig. 1).

Step 2. Unscrew the slotted set screw of the base and remove the mounting plate.

Step 3. Place the mounting plate in the center of the pencil outline you just made and mark the location of the mounting screws (fig. 2). Drill holes at the marked locations (fig. 3).

Step 4. Insert anchors into the holes with a hammer until flush with the wall (fig. 4).

Step 5. Screw the mounting plate (with the lips facing out) to the wall with the mounting screws (fig. 5).

Step 6. Repeat steps 1 through 5 with the other side.

Step 7. Place the unit, with the small hole in the base underneath, over the mounting plate by tightening the slotted set screws with a flat head screwdriver until the base is tightly fixed (fig. 6).

### Cleaning

Clean with a damp cloth only.

Avoid using metal or abrasive polishes.