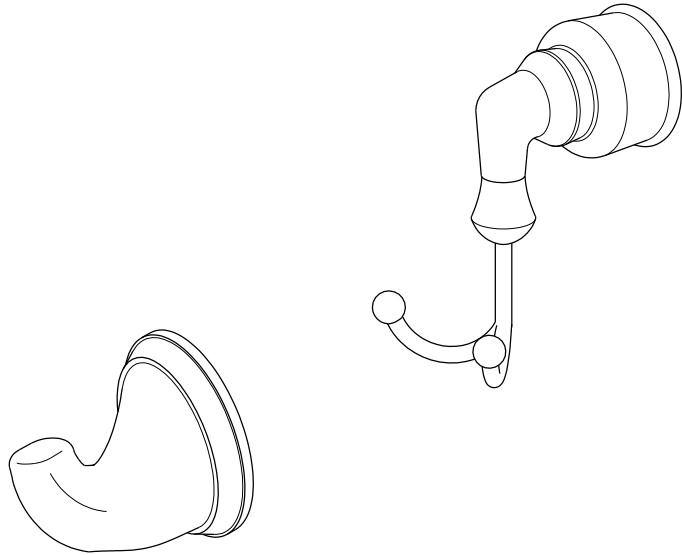
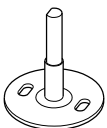

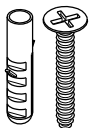



Robe Hook Installation



Parts:

Mounting Plate BA607 Series	Mounting Plate BA627 Series	Mounting Screw & Anchor	Slotted Set Screw
			
2 Pcs	2 Pcs	4 Pcs	2 Pcs

www.kingstonbrass.com

TOLL-FREE CUSTOMER SERVICE: 1-877-2-KBRASS

TECHNICAL SUPPORT E-mail: service@kingstonbrass.com

12775 Reservoir Street, Chino, CA91710

TOOLS REQUIRED

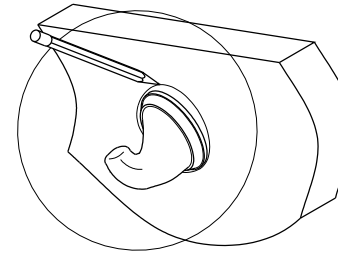
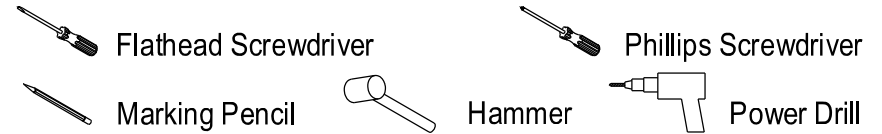


Fig. 1

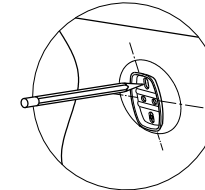


Fig. 2

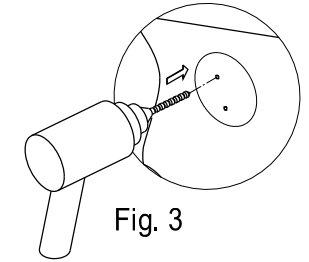


Fig. 3

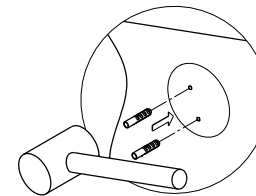


Fig. 4

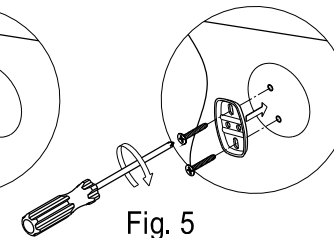


Fig. 5

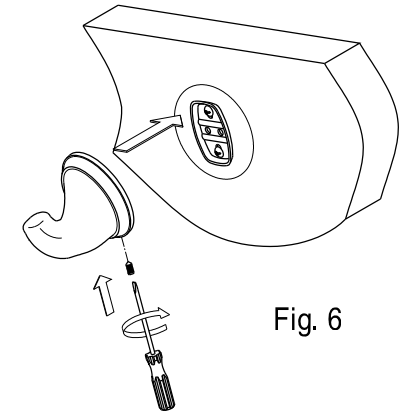


Fig. 6

Installation Steps:

Step 1. Locate where you would like to install the robe hook.

Place a base onto the wall and trace around it with a pencil (fig. 1).

Step 2. Unscrew the slotted set screw of the base and remove the mounting plate.

Step 3. Place the mounting plate in the center of the pencil outline you just made and mark the location of the mounting screws (fig. 2). Drill holes at the marked locations (fig. 3).

Step 4. Insert anchors into the holes with a hammer until flush with the wall (fig. 4).

Step 5. Screw the mounting plate (with the lips facing out) to the wall with the mounting screws (fig. 5).

Step 6. Place the unit, with the small hole in the base underneath, over the mounting plate by tightening the slotted set screw with a flat head screwdriver until the base is tightly fixed (fig. 6).

Cleaning

Clean with a damp cloth only.

Avoid using metal or abrasive polishes.