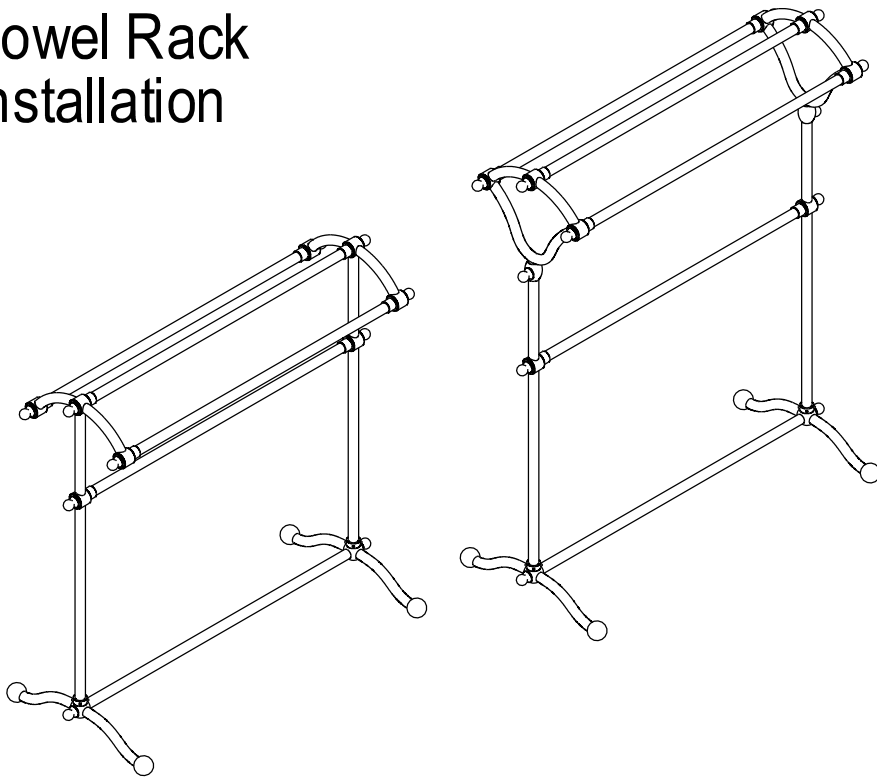
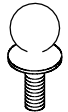
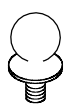
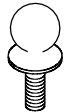
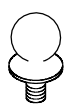


## Towel Rack Installation

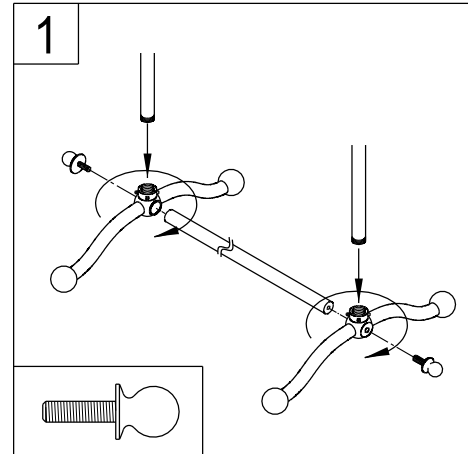


### Parts:

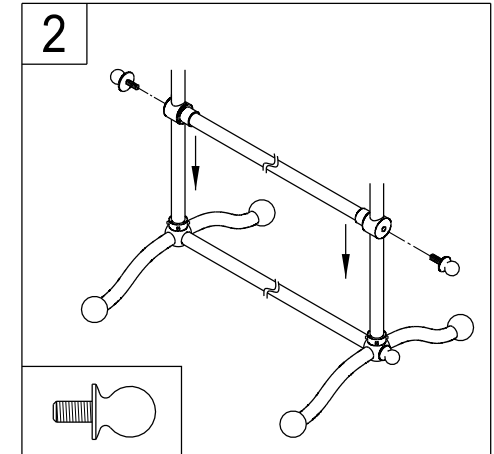
CC2281 Screw		CC2291 Screw	
			
2 Pcs	4 Pcs	4 Pcs	2 Pcs

www.kingstonbrass.com  
 TOLL-FREE CUSTOMER SERVICE: 1-877-2-KBRASS  
 TECHNICAL SUPPORT E-mail: service@kingstonbrass.com  
 12775 Reservoir Street, Chino, CA91710

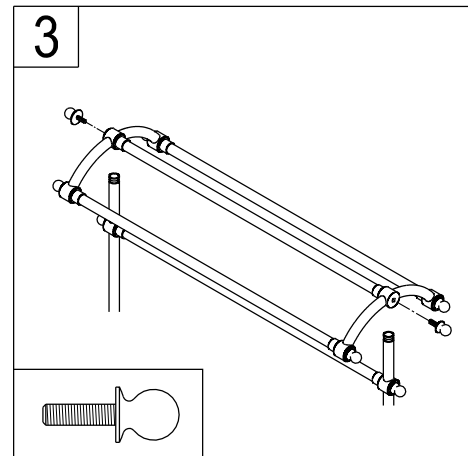
### Installation Steps:



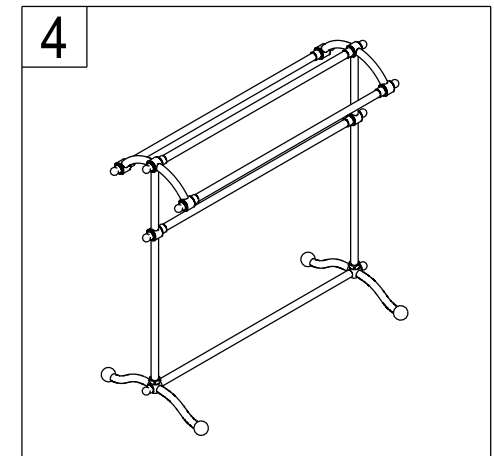
1. Screw in 29" vertical side bars into foot and bolt in bottom bar between assembly.



2. Slide middle bar down vertical side bars and tighten bolts at desired level.



3. Bolt in top rack assembly to bottom assembly.



4. Check all bolts are tight and secure on your completed towel rack.