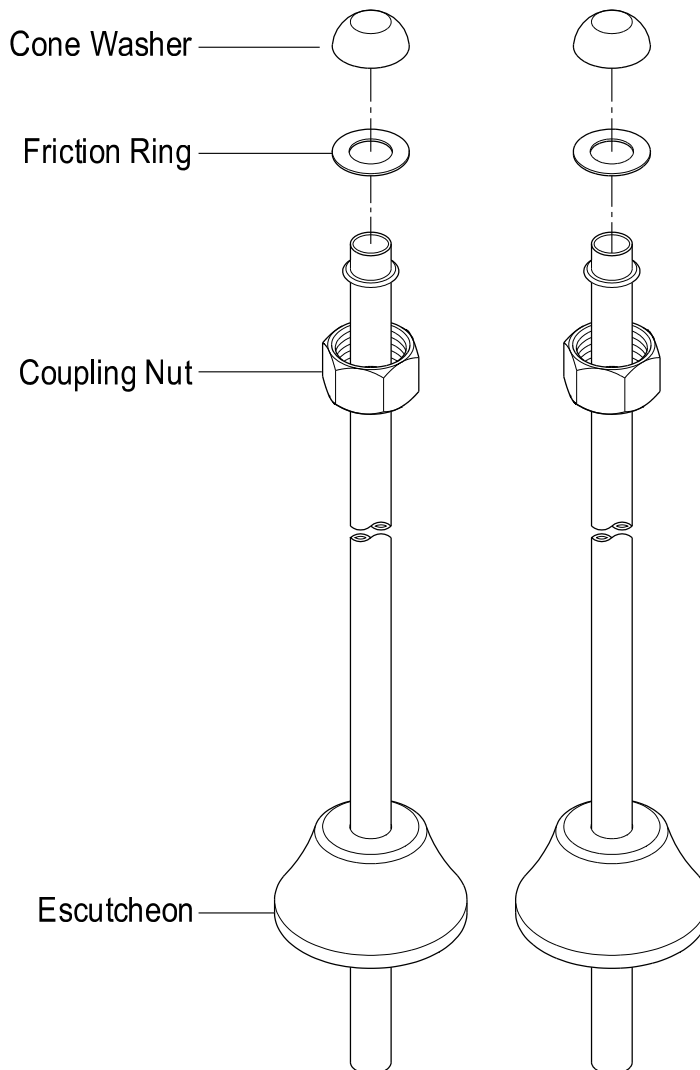




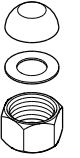
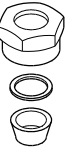
Installation Instructions For Use With KB's Straight Offset Bath Supply

BEFORE BEGINNING INSTALLATION

1. Flush plumbing lines to clear debris in pipe and plumbing lines to avoid existing clogs into waterway & cartridge system of new faucet fixture.
2. Shut off both supply lines after flushing



Parts:

Supply Line	Escutcheon
 <p>2 Pcs</p>	 <p>2 Pcs</p>
 <p>2 Pcs</p>	 <p>2 Pcs</p>

www.kingstonbrass.com

TOLL-FREE CUSTOMER SERVICE: 1-877-2-KBRASS

TECHNICAL SUPPORT E-mail: service@kingstonbrass.com

12775 Reservoir Street, Chino, CA91710