

#### STEP 4

(Recommended for professional installers only.)

Install faucets and other accessories such as a side spray or soap/lotion dispenser onto the sink. (Do not install drainer basket until the sink is in place.)

### ADDITIONAL HOLE KNOCKOUTS FOR SINKS

Please be sure to make any additional accessory holes before sink installation.

- (1) Holes for faucet fixtures and accessories have been pre-drilled from underneath and are marked on the top surface by white dots centered above the holes. Make sure you check the current position of the dots before you hammer, as dots may shift in very hot weather.
- (2) Put the foam packing parts back into the box and place sink on top of box.
- (3) Tap the white dots over the pre-cut holes lightly with a 6 ounce ball peen hammer  
(While holding your hand against the underside of the hole to support the sink).
- (4) Trim the hole with the small end of the ball peen hammer or use a fine file.

**WARNING: WARRANTY WILL BE VOIDED IF THESE  
INSTRUCTIONS ARE NOT FOLLOWED.**

#### STEP 5

(Recommended for professional installers only.)

Snap mounting clips into position on the sink at evenly spaced intervals.

#### STEP 6

(Recommended for professional installers only.)

Run a bead of the appropriate sealant inside the masking tape.

#### STEP 7

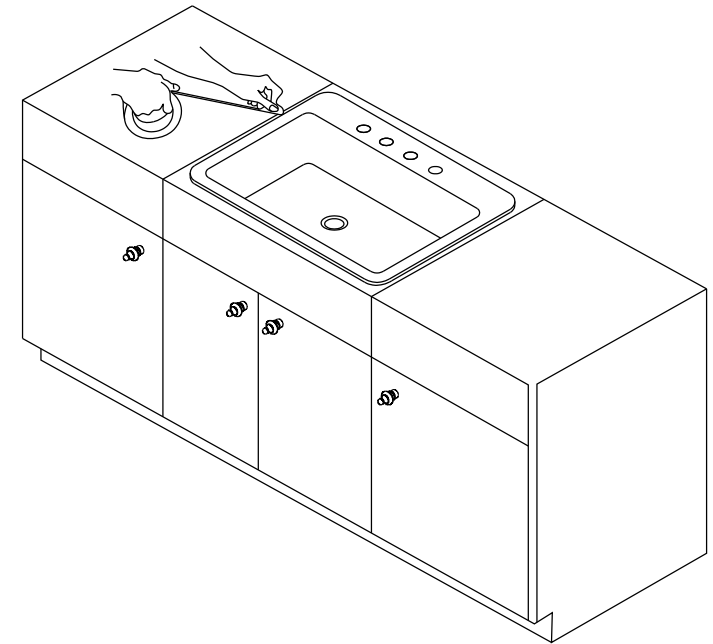
(Recommended for professional installers only.)

Lower the sink into the hole, following the guidelines created by the masking tape. Turn mounting clips against the underside of the guidelines created and tighten with screw driver.

#### STEP 8

(Recommended for professional installers only.)

Remove excess sealant if any. Install strainer basket



[www.kingstonbrass.com](http://www.kingstonbrass.com)

TOLL-FREE CUSTOMER SERVICE: 1-877-2-KBRASS

TECHNICAL SUPPORT E-mail: [service@kingstonbrass.com](mailto:service@kingstonbrass.com)

12775 Reservoir Street, Chino, CA91710