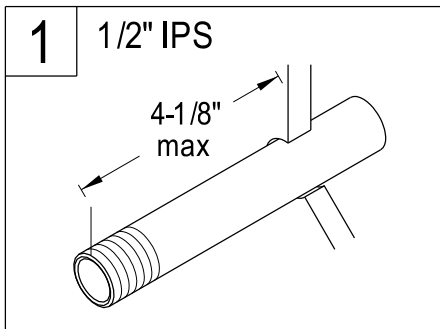
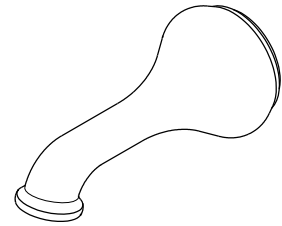
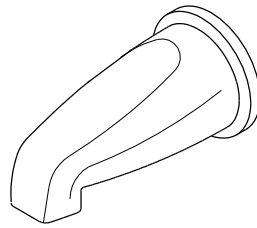
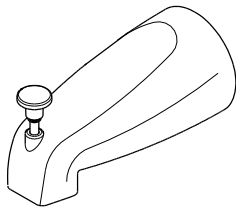


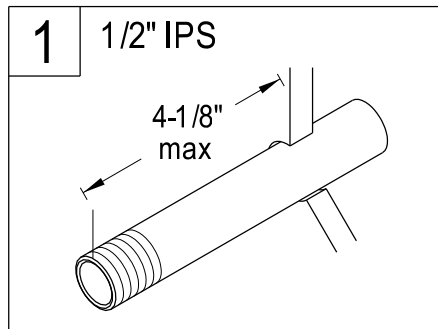
Installation Instructions For Use With KB's Tub Spout

Note: This product is used to illustrate installation. Your product may be a different style but will install in the same way.

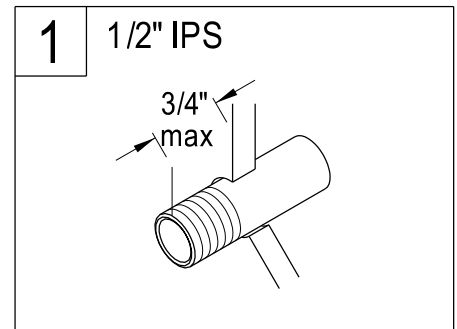
TOOLS REQUIRED



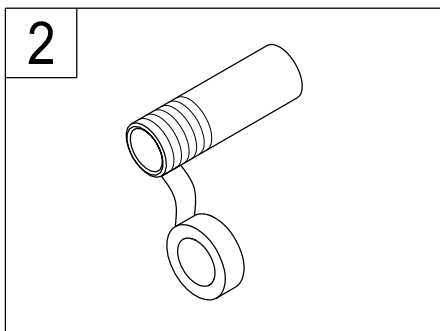
1. The stub-out pipe for spout installation must be at the length illustrated measured from the finished wall surface.



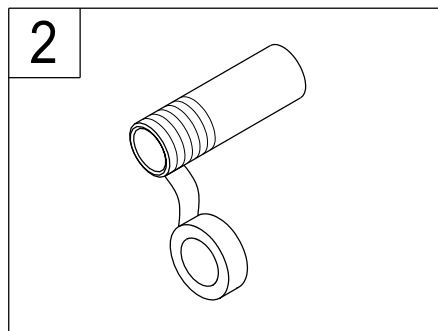
1. The stub-out pipe for spout installation must be at the length illustrated measured from the finished wall surface.



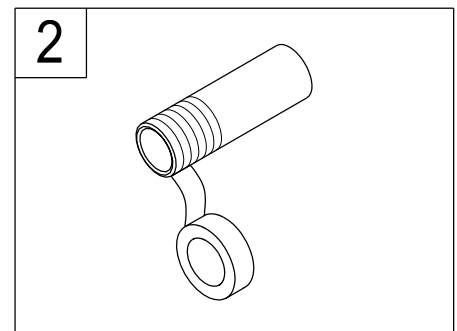
1. The stub-out pipe for spout installation must be at the length illustrated measured from the finished wall surface.



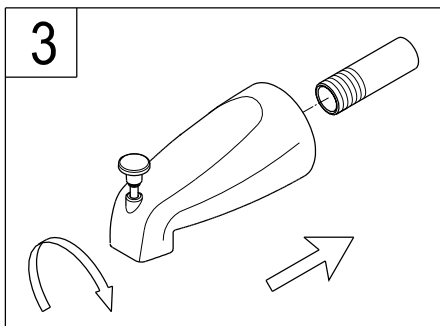
2. Apply pipe Teflon tape on the pipe nipple threads.



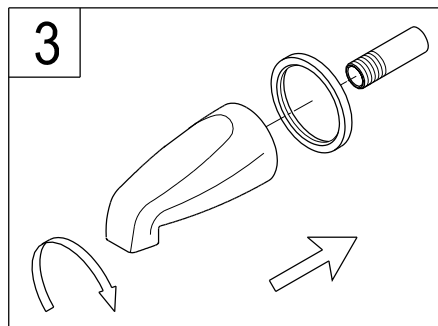
2. Apply pipe Teflon tape on the pipe nipple threads.



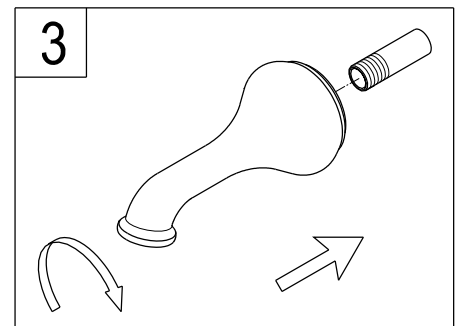
2. Apply pipe Teflon tape on the pipe nipple threads.



3. Slide the spout over the pipe. With the spout tight to the wall, tighten the set screw to the pipe.



3. Slide the spout and flange over the pipe. With the spout tight to the wall, tighten the set screw to the pipe.



3. Slide the spout over the pipe. With the spout tight to the wall, tighten the set screw to the pipe.