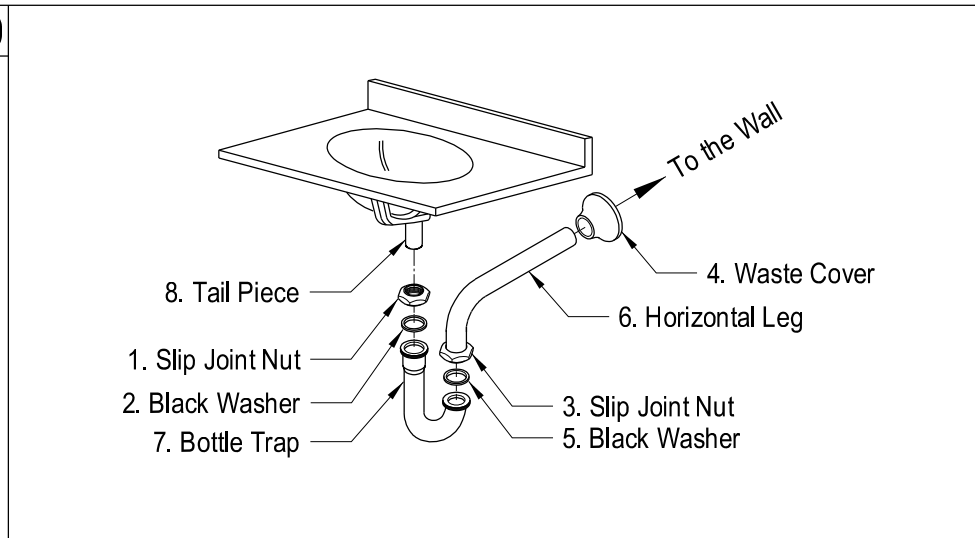


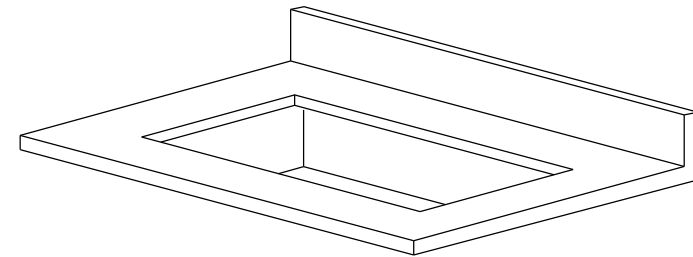
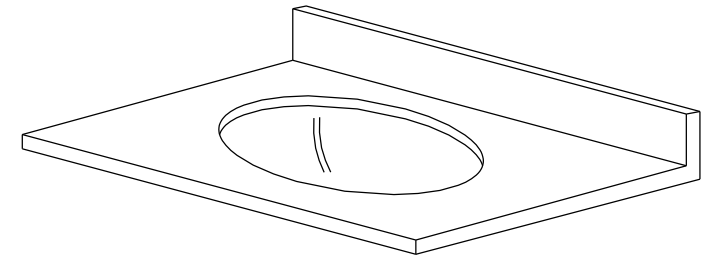
P-Trap Installation:

10



1. Remove horizontal leg and slip joint nut from bottle trap.
2. Apply teflon to all exposed threads.
3. Insert slip joint nut(3) and waste cover(4) onto horizontal leg(6).
4. Insert horizontal leg into wall waste opening, do not tighten.
5. Insert black washer(2) and slip joint nut(1) onto tail piece(8).
6. Attach bottle trap(7) to tail piece and hand tighten slip joint nut(1).
7. Align bottle trap with horizontal leg and tail piece, at this point it may be necessary to cut part of tail piece or part of horizontal leg to obtain proper alignment.
8. After all components have been properly aligned, insert horizontal leg making sure to insert black washer(5) before tightening slip joint nut(3).
9. Thread both slip joint nuts onto bottle trap and tighten along with slip joint securing horizontal leg to wall waste opening.
10. Check for leakage by opening faucet and letting water run for at least 45 seconds.

FAUCETURE[®]
KINGSTON CREATION



www.kingstonbrass.com

TOLL-FREE CUSTOMER SERVICE: 1-877-2-KBRASS

TECHNICAL SUPPORT E-mail: service@kingstonbrass.com

12775 Reservoir Street, Chino, CA91710

FAUCETURE[®]

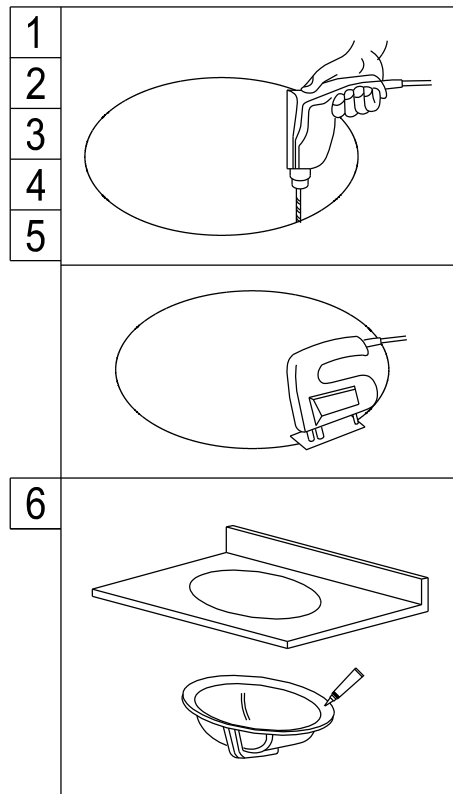
KINGSTON CREATION

INSTALLATION INSTRUCTIONS For Use UNDERMOUNT BASIN

Before Installation :

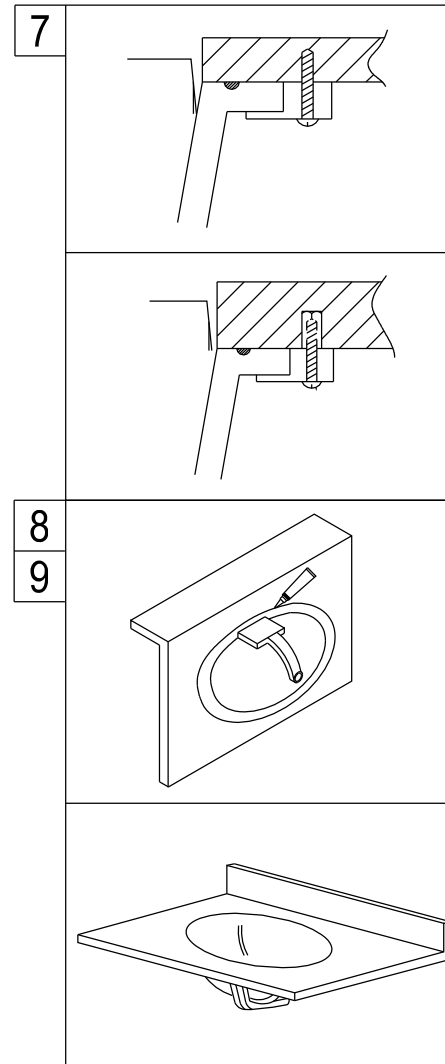
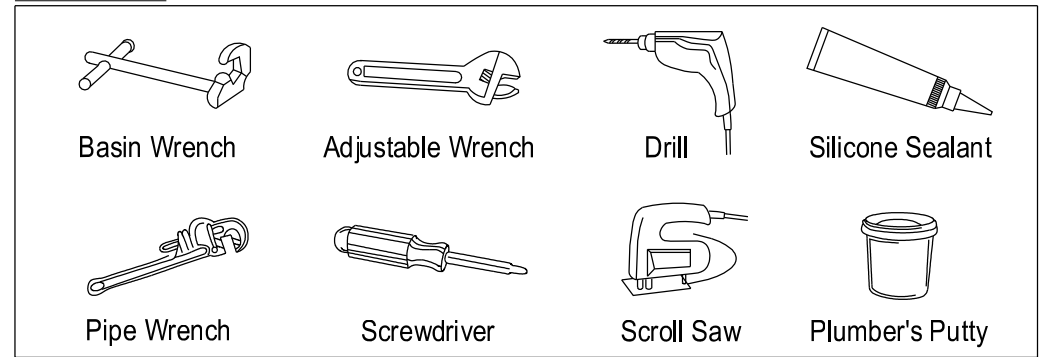
1. Prior the installation, unpack your new Kingston Brass product and inspect it keep the product in its original package until you are ready to install it.
2. Shut the water supply off when replacing an existing fixture. Preparation of the floors and walls, including all additional wall supports, maybe required.
3. Observe all local plumbing and building codes.
4. Do not install this fixture alone.
5. Make sure to select appropriate drain as some of Kingston Brass vessel sinks do not include overflow hole.

Installation Step :



1. Cut the template on the dotted line.
2. Place the outer portion in exact location that the basin/sink will be installed. Check the clearance between the lavatory, faucet and back wall. Adjust it if necessary.
3. Trace the template on the countertop.
4. Cut out the opening along the inside edge of the line.
5. If the basin/sink is to be installed on a solid counter, using the template, mark the location of the holes to be drilled (+) under the counter and drill two (2) 3/8" holes with no more than 1/2" deep.
6. Apply any appropriate adhesive to the brass insert, and insert them into the (4) holes, wait for adhesive to dry as per manufacturer's recommendation.

Need Tools:



7. Apply sealant on top surface of the basin/sink and install it as per instruction.
8. Put caulking around perimeter.
9. Carefully remove all excess sealant and caulk from both the counter top and the basin/sink rim.