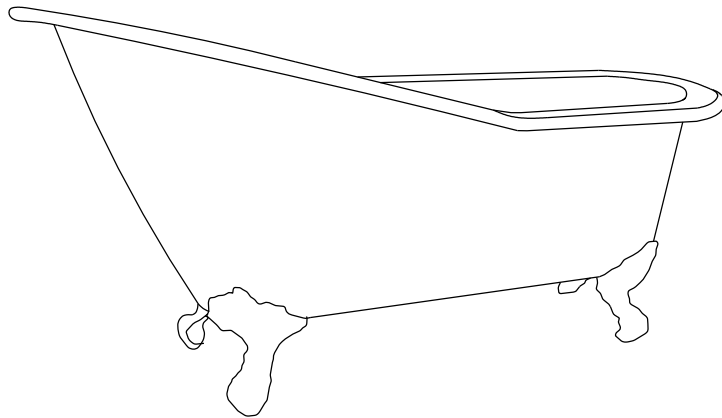
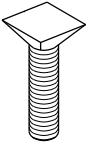
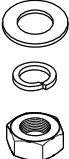


## Cast Iron Bath Tub Installation



### Parts:

Bolts	Washer & Locknut
	
4 Pcs	4 Pcs

www.kingstonbrass.com  
TOLL-FREE CUSTOMER SERVICE: 1-877-2-KBRASS  
TECHNICAL SUPPORT E-mail: service@kingstonbrass.com  
12775 Reservoir Street, Chino, CA91710

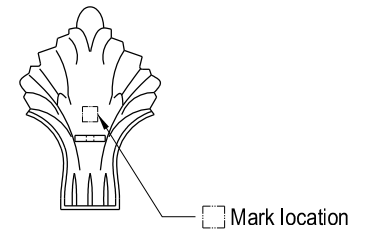
### TOOLS REQUIRED



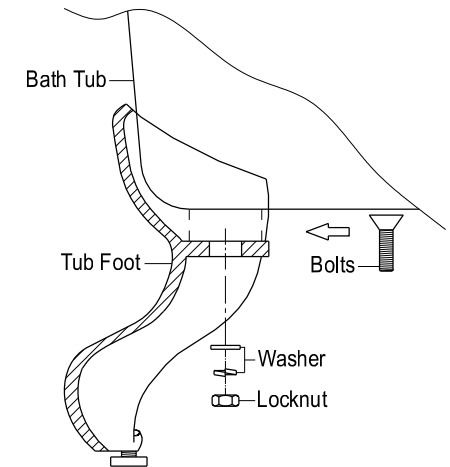
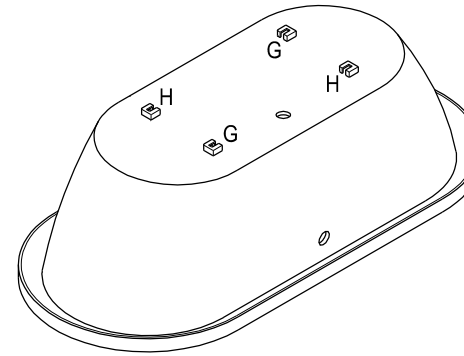
Adjustable Wrench



Rubber Mallet



Mark location



### Installation Steps:

- Step 1. Turn tub over and set on non-abrasive mat, insert pyramid bolts into the mounting slot at the bottom of the tub.
- Step 2. Align the feet with the bolt, insert leg, washers and nut and tighten loosely, the legs marked "G" are to be installed in the tub same mark "G", and the legs marked "H" are to be installed in the tub same mark "H". When all 4 feet have been installed, tighten the bolts and check the fit.
- Step 3. Adjust leg for proper fit, it might be necessary to tap with rubber mallet to insure a good position.
- Step 4. Retighten bolts
- Step 5. When all four legs have been installed, turn tub over carefully as not to damage the finish.
- Step 6. If tub wobbles, adjust leg by raising or lowering leg adjustment bolt at the bottom of each leg.

### Cleaning

Clean with a damp cloth only.  
Avoid using metal or abrasive polishes.