

DESCRIPTION

LIGHT FIXTURE:

- Corrosion resistant oil-rubbed bronze finish
- White alabaster glass shade
- Close mount design
- Uses two 13W maximum, high efficiency, GU24 based, fluorescent bulbs. (Bulbs included.)
- Vent openings in fixture base for exhaust fan
- Light fixture assembly is plug-in and removable

BLOWER:

- Plug-in permanently lubricated motor
- Polymeric blower wheel

HOUSING:

- Rugged, 26-gage galvanized steel construction
- Fits in 2" x 6" construction
- Sturdy key-holed mounting brackets for quick, accurate installation
- Tapered, polymeric duct fitting with built-in backdraft damper for easy, positive duct connection and no metallic clatter

DO NOT install in a tub or shower enclosure.

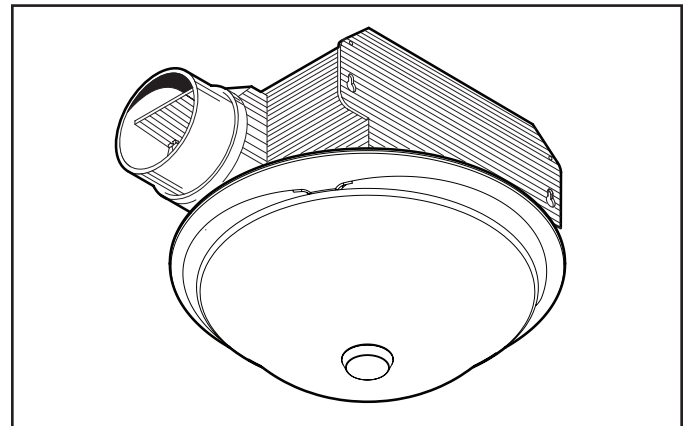
NOTE: For installation in flat ceilings only.

U.L. Listed for use in insulated ceilings (Type I.C.)

ENERGY STAR® qualified

Decorative Ventilation Fan with Light

MODEL 772RBNT



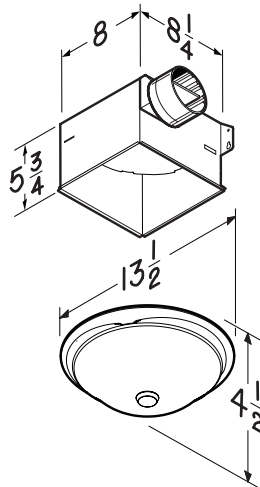
SPECIFICATIONS

MODEL	VOLTS	AMPS
772RBNT	120	0.8

STATIC PRESSURE	CFM	SONES	FAN WATTS	DUCT
0.10	80	2.0	24.5	4" Round
0.25	68			



HVI-2100 CERTIFIED RATINGS comply with new testing technologies and procedures prescribed by the Home Ventilating Institute, for off-the-shelf products, as they are available to consumers. Product performance is rated at 0.1 in. static pressure, based on tests conducted in a state-of-the-art test laboratory. Sones are a measure of humanly-perceived loudness, based on laboratory measurements.



ARCHITECT'S SPECIFICATION

Decorative Ventilation Fan with Light shall be NuTone Model 772RBNT.

Unit shall have galvanized steel housing with dual integral mounting brackets. It shall be ducted to a roof or wall cap.

Blower assembly shall be removable and have a permanently lubricated motor.

Light fixture assembly shall be plug-in, removable and include a white alabaster glass shade and a corrosion-resistant base with oil-rubbed bronze finish.

Lamps shall be two 13W maximum, high efficiency, GU24 based, fluorescents, with a M.O.L. (maximum overall length) of 4.8 inches or less - included with unit.

Air delivery to be no less than 80 cfm and sound level no greater than 2.0 sones. Air and sound ratings shall be certified by HVI.

Unit shall be U.L. Listed for use in insulated ceilings (Type I.C.)

Unit shall be ENERGY STAR® qualified.

INSTALLATION

Complete installation instructions are included with each Ventilation Fan with Light.

Broan-NuTone LLC Hartford, Wisconsin www.nutone.com 888-336-3948

REFERENCE	QTY.	REMARKS	Project
			Location
			Architect
			Engineer
			Contractor
			Submitted by Date