

SPECIFICATIONS

PARMA™ TRIM LINE TWO HANDLE WIDESPREAD LAVATORY FAUCET

Model

D304558 (Replaces D331558 series)

Description

- Ceramic disc valve
- 9" high spout, 5 1/4" spout length
- Metal touch down drain assembly
- 3 hole mount, 4" - 12" installation

Standards



- NSF 61-9
- Energy Policy Act of 1992



- ASME A112.18.1/A112.18.1
- NSF/ANSI 372
- CSA B125.1

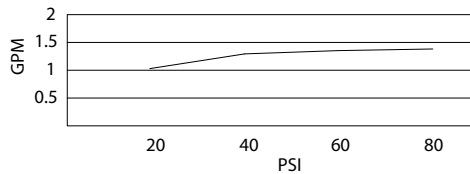


- ADA Accessibility Guidelines for Buildings and Facilities - 4.27.4 Controls and Mechanisms

Warranty

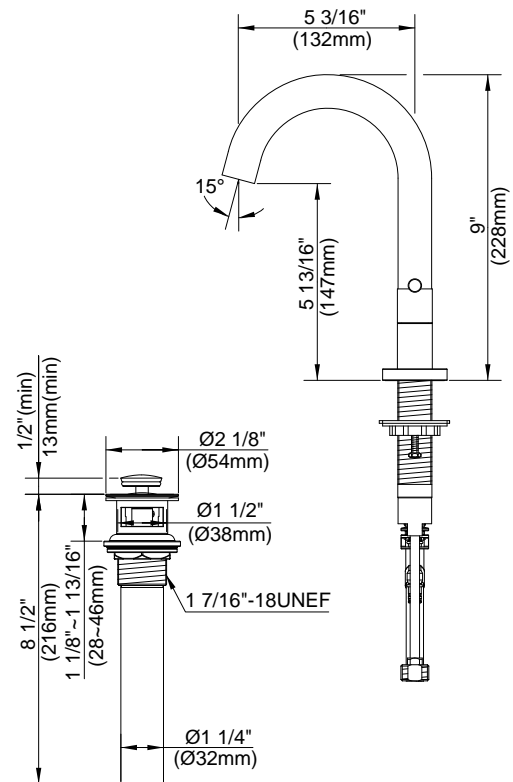
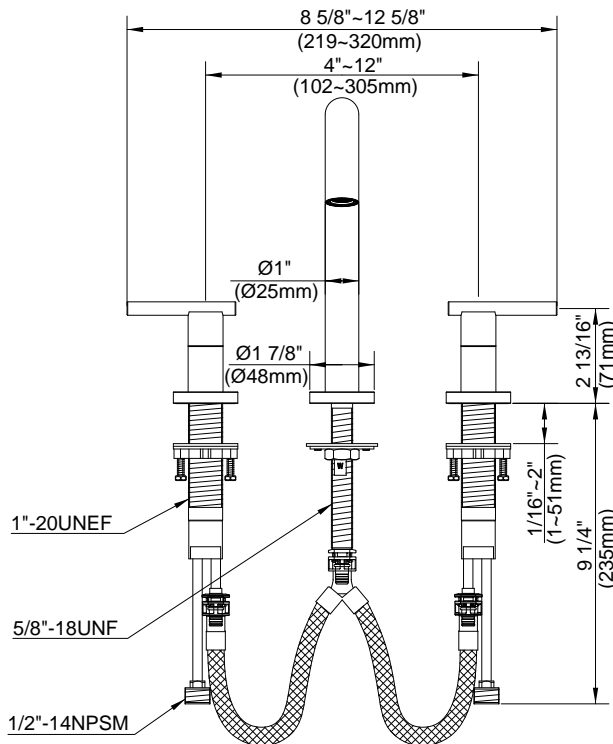
Danze products are covered by a manufacturer's limited "lifetime" warranty for manufacturing defects.

Flow Rate



Finishes Available

- Chrome
- Other: Refer to Price List for additional finish



Submittal Information:

Job Name: _____
 Contractor: _____

Location: _____
 Contact #: _____