

SPECIFICATIONS

PRINCE™ SINGLE HANDLE PULL-OUT KITCHEN FAUCET

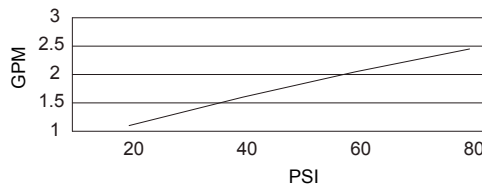
Model

D455010

Description

- Ceramic disc cartridges
- 1 or 3 hole installation with optional deck plate
- 360 degree swivel spout
- Dual flow pattern
- Hose extension reach 16"
- Spring loaded pull down hose retraction system
- Metal lever handle
- 2.2GPM (8.3L/min) maximum aerator @60 psi
- Low lead waterways per CA AB 1953
- Fully ADA compliant
- Limited Lifetime Warranty

Flow Rate



Standards



Certified to NSF/ANSI 61 Section 9

- NSF 61-9
- Energy Policy Act of 1992



NSF/ANSI 372

- ASME A112.18.1M/A112.18.1
- NSF/ANSI 372



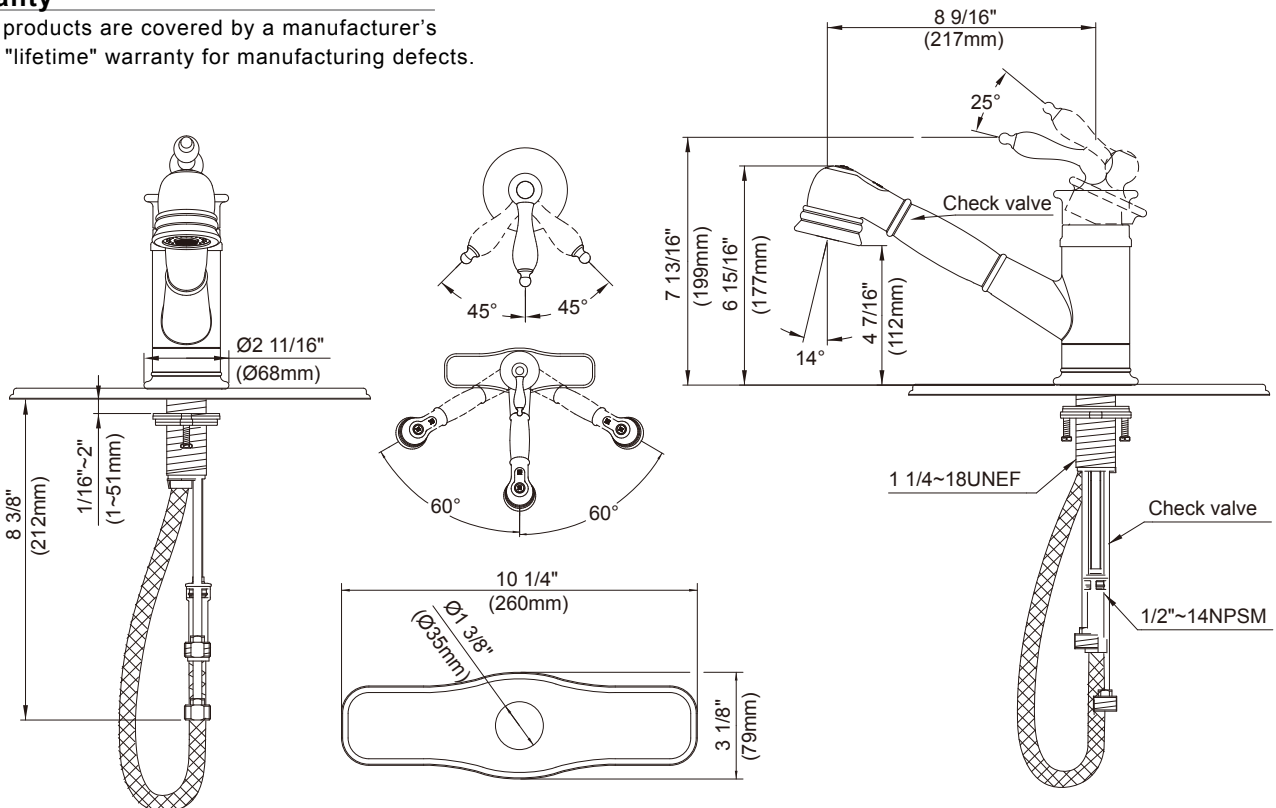
- ADA Accessibility Guidelines for Buildings and Facilities - 4.27.4 Controls and Mechanisms

Finishes Available

- Chrome
- Other: Refer to Price List for additional finish

Warranty

Danze products are covered by a manufacturer's limited "lifetime" warranty for manufacturing defects.



Submittal Information:

Job Name: _____

Location: _____

Contractor: _____

Contact #: _____