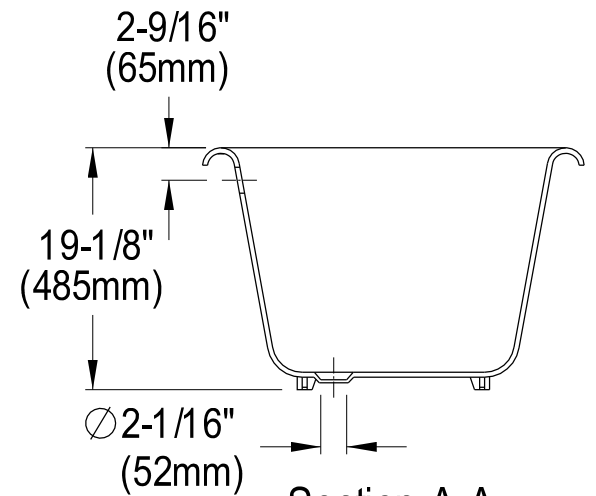
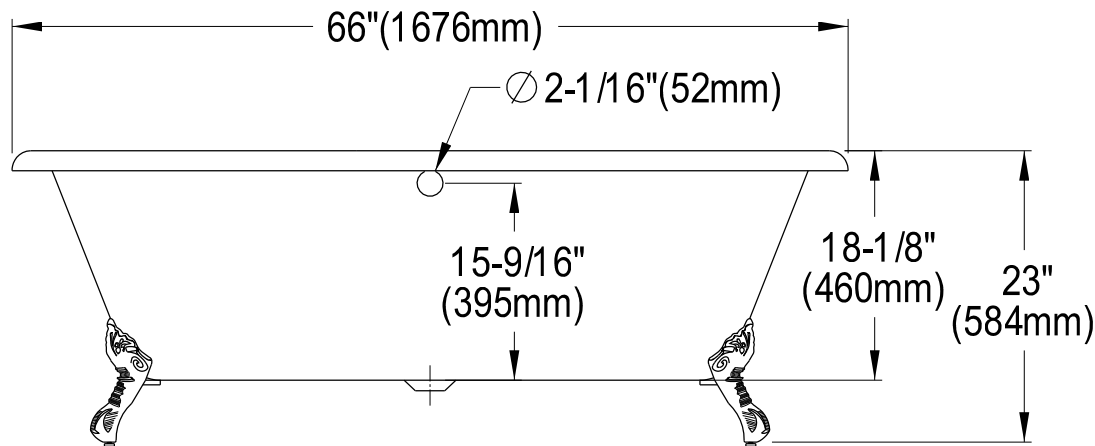
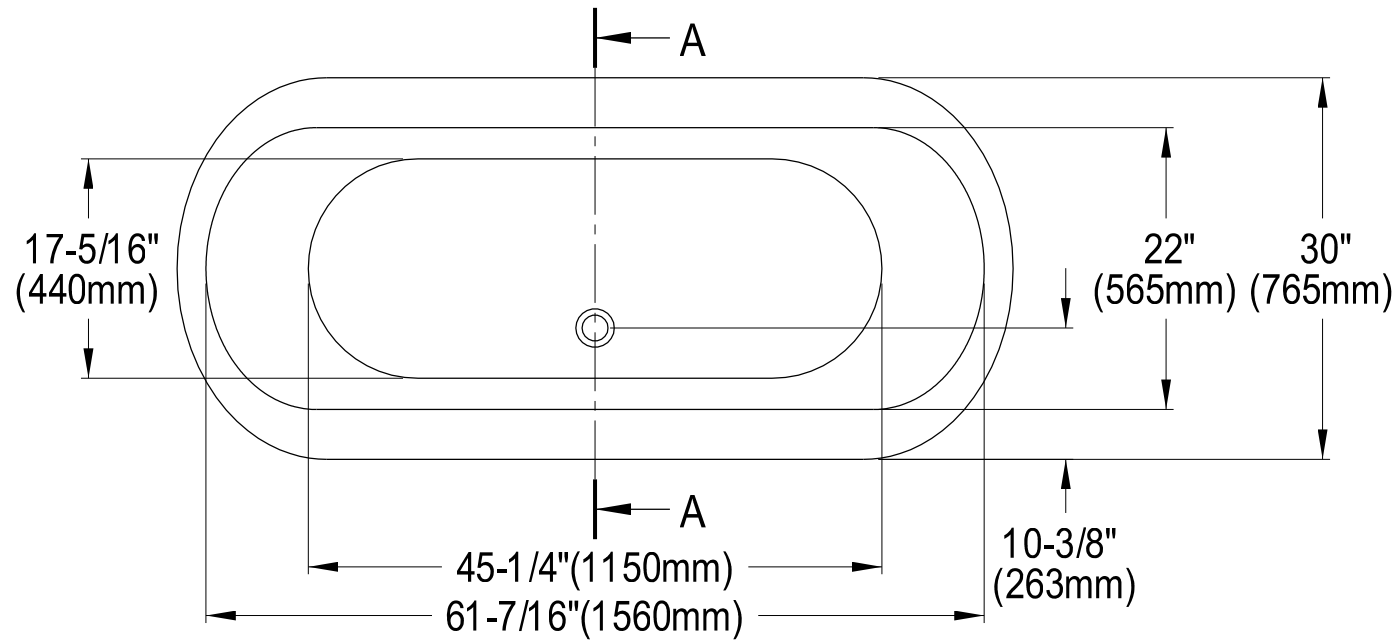


# VCTND663013NB1,5,8

66" Cast Iron Bathtub



Section A-A